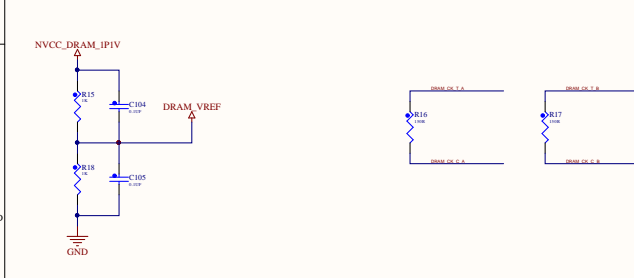
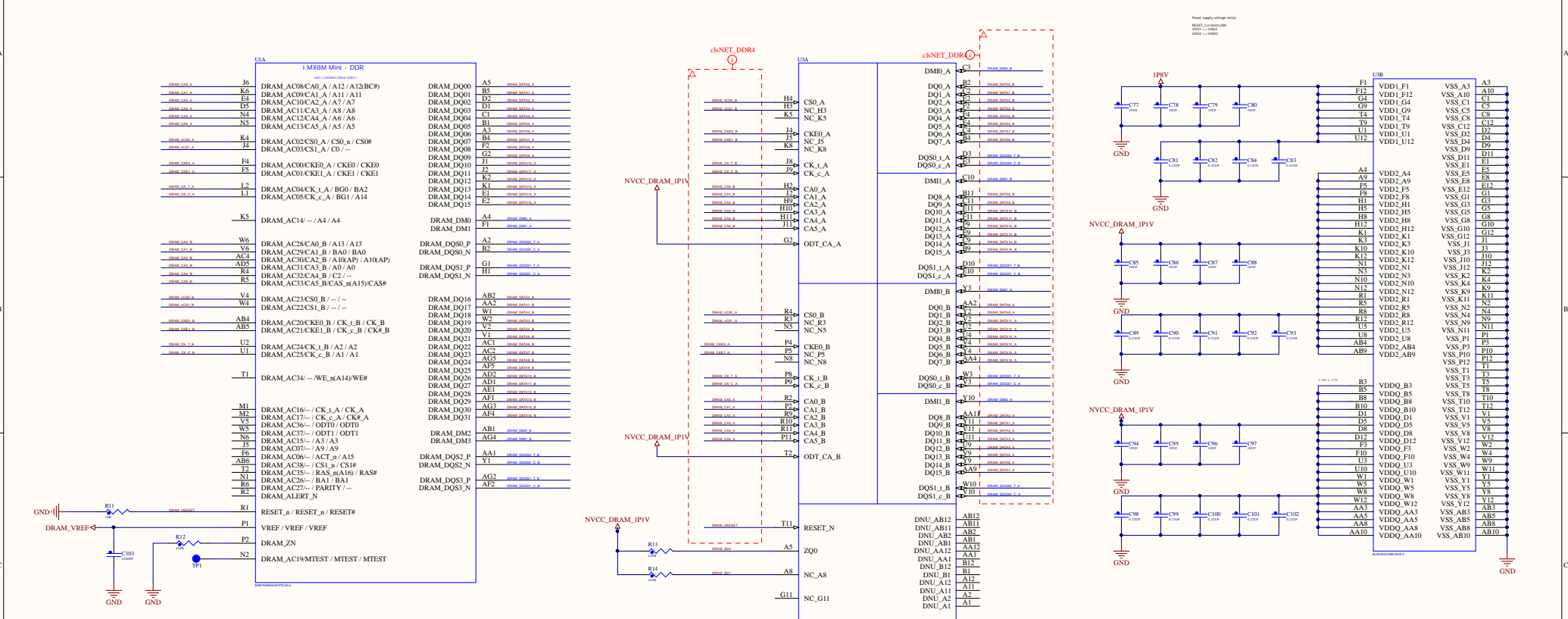
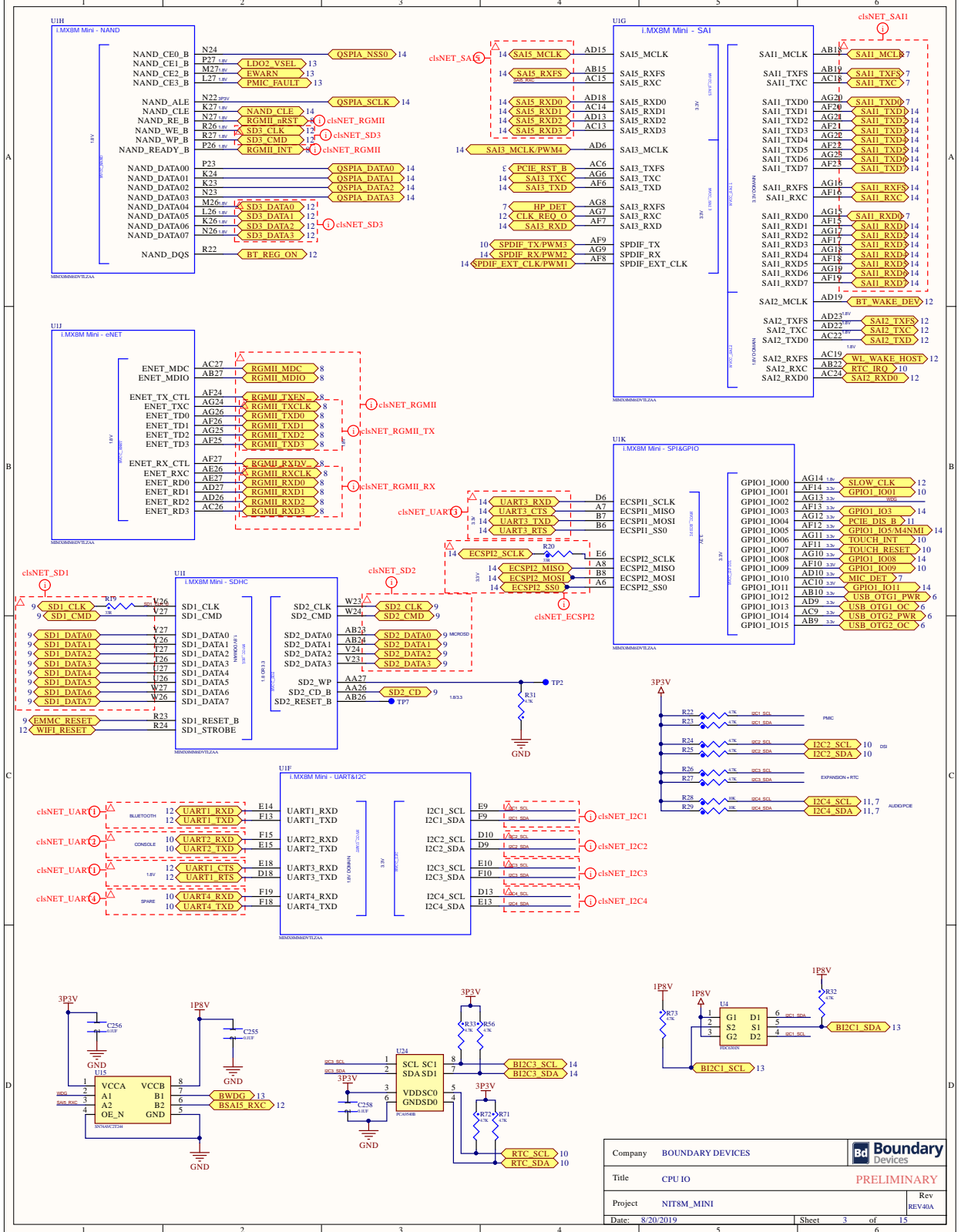


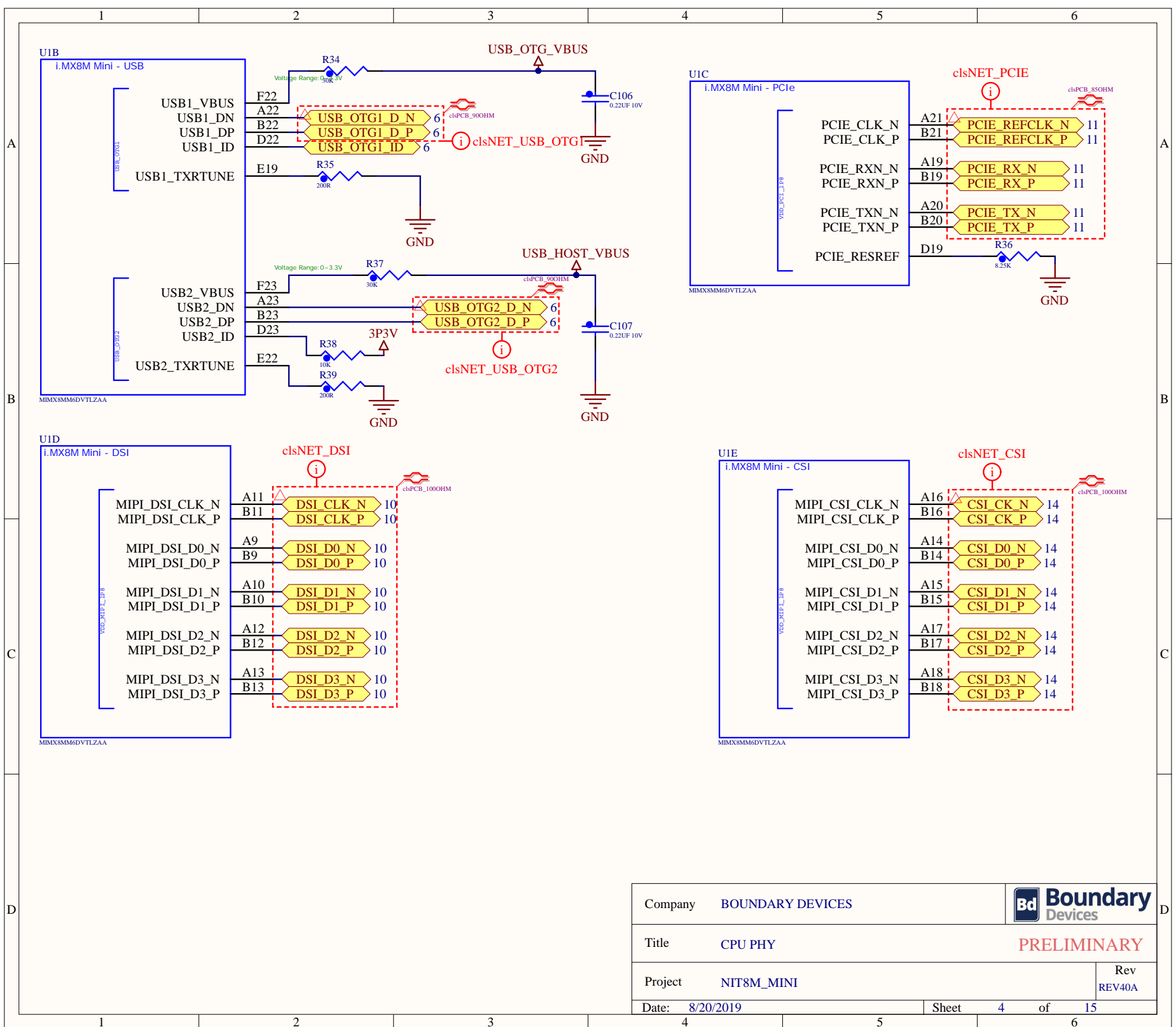
LPDDR4 2GB



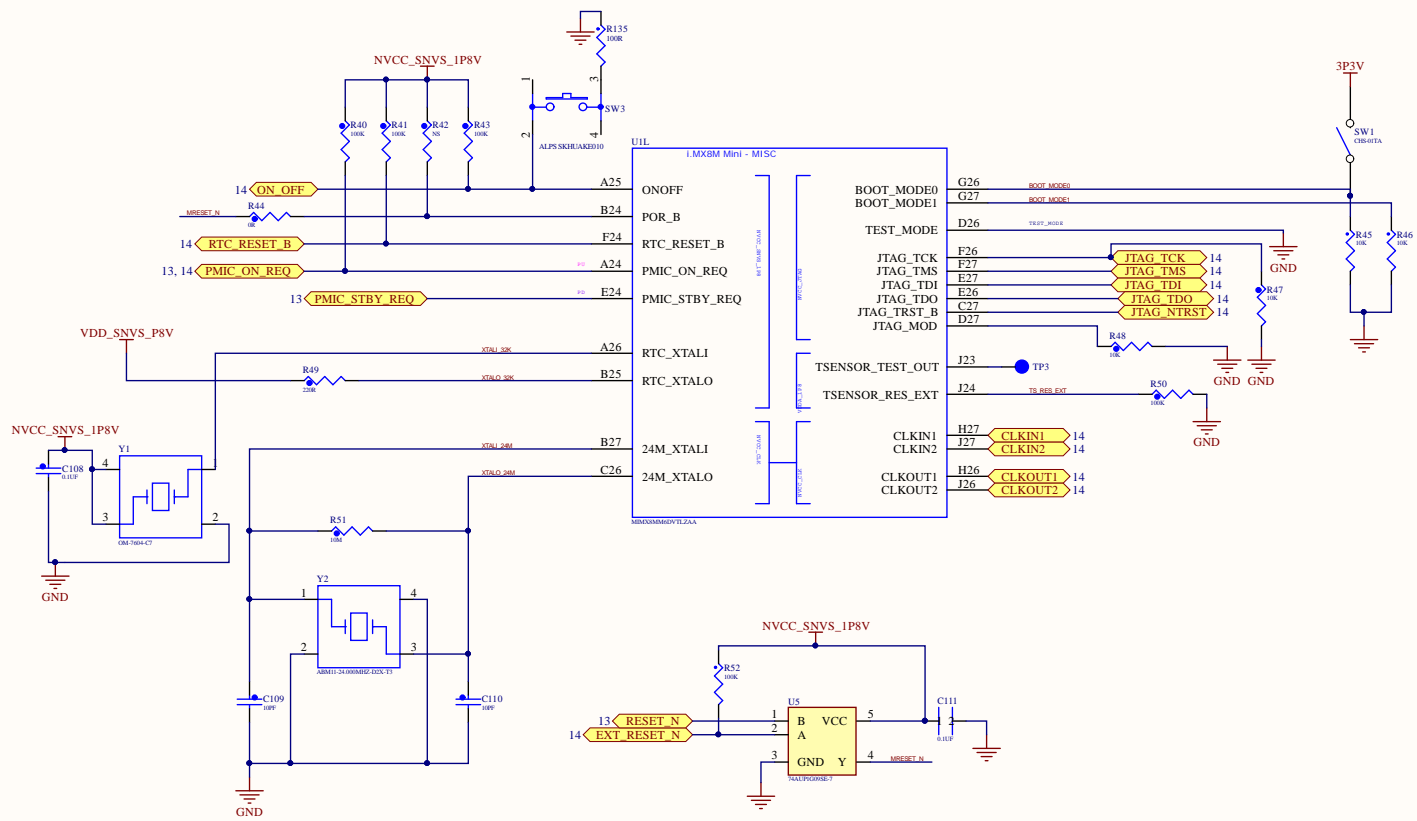
Pin Name	LPDDR4	DDR4	Pin Name	LPDDR4	DDR4
DRAM_A0	DRAM_A0	DRAM_A0	DRAM_CS0	DRAM_CS0	DRAM_CS0
DRAM_A1	DRAM_A1	DRAM_A1	DRAM_CS1	DRAM_CS1	DRAM_CS1
DRAM_A2	DRAM_A2	DRAM_A2	DRAM_CS2	DRAM_CS2	DRAM_CS2
DRAM_A3	DRAM_A3	DRAM_A3	DRAM_CS3	DRAM_CS3	DRAM_CS3
DRAM_A4	DRAM_A4	DRAM_A4	DRAM_CS4	DRAM_CS4	DRAM_CS4
DRAM_A5	DRAM_A5	DRAM_A5	DRAM_CS5	DRAM_CS5	DRAM_CS5
DRAM_DQ0	DRAM_DQ0	DRAM_DQ0	DRAM_DQS0	DRAM_DQS0	DRAM_DQS0
DRAM_DQ1	DRAM_DQ1	DRAM_DQ1	DRAM_DQS1	DRAM_DQS1	DRAM_DQS1
DRAM_DQ2	DRAM_DQ2	DRAM_DQ2			
DRAM_DQ3	DRAM_DQ3	DRAM_DQ3			
DRAM_DQ4	DRAM_DQ4	DRAM_DQ4			
DRAM_DQ5	DRAM_DQ5	DRAM_DQ5			
DRAM_DQ6	DRAM_DQ6	DRAM_DQ6			
DRAM_DQ7	DRAM_DQ7	DRAM_DQ7			
DRAM_DQ8	DRAM_DQ8	DRAM_DQ8			
DRAM_DQ9	DRAM_DQ9	DRAM_DQ9			
DRAM_DQ10	DRAM_DQ10	DRAM_DQ10			
DRAM_DQ11	DRAM_DQ11	DRAM_DQ11			
DRAM_DQ12	DRAM_DQ12	DRAM_DQ12			
DRAM_DQ13	DRAM_DQ13	DRAM_DQ13			
DRAM_DQ14	DRAM_DQ14	DRAM_DQ14			
DRAM_DQ15	DRAM_DQ15	DRAM_DQ15			



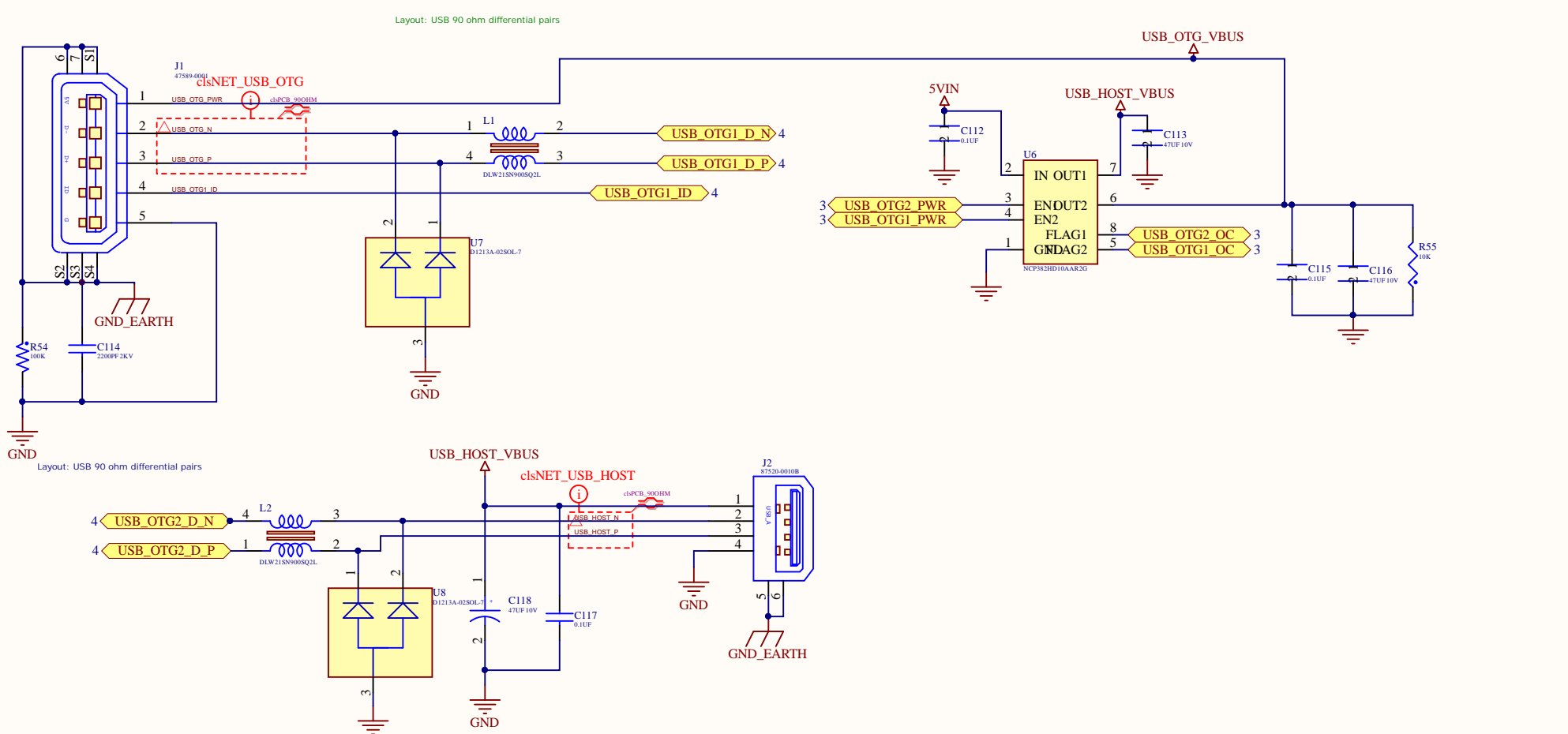
Company	BOUNDARY DEVICES	
Title	CPU IO	PRELIMINARY
Project	NIT8M_MINI	Rev REV40A
Date:	8/20/2019	Sheet 3 of 15




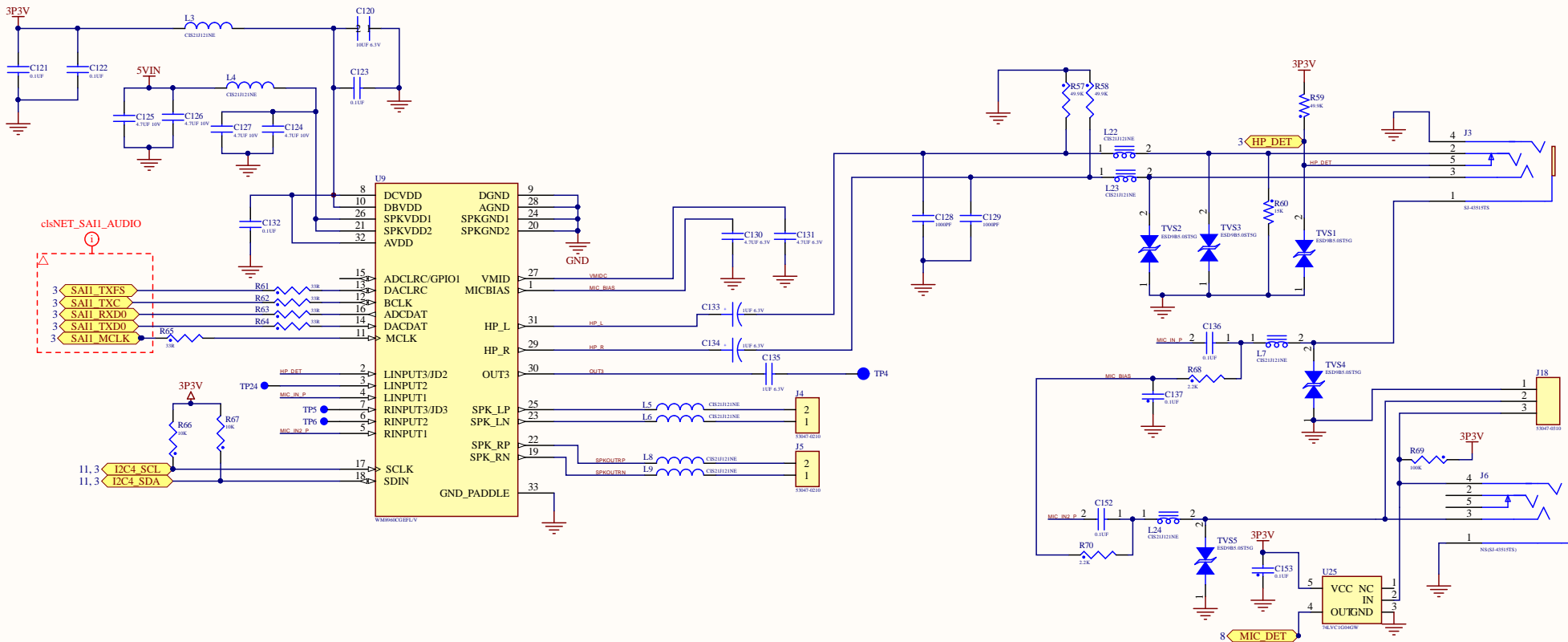
Company	BOUNDARY DEVICES	
Title	CPU PHY	
Project	NIT8M_MINI	Rev REV40A
Date:	8/20/2019	Sheet 4 of 15



Company	BOUNDARY DEVICES	
Title	CPU MISC	
Project	NIT8M_MINI	PRELIMINARY
Date:	8/20/2019	Rev REV40A
Sheet	5	of 15

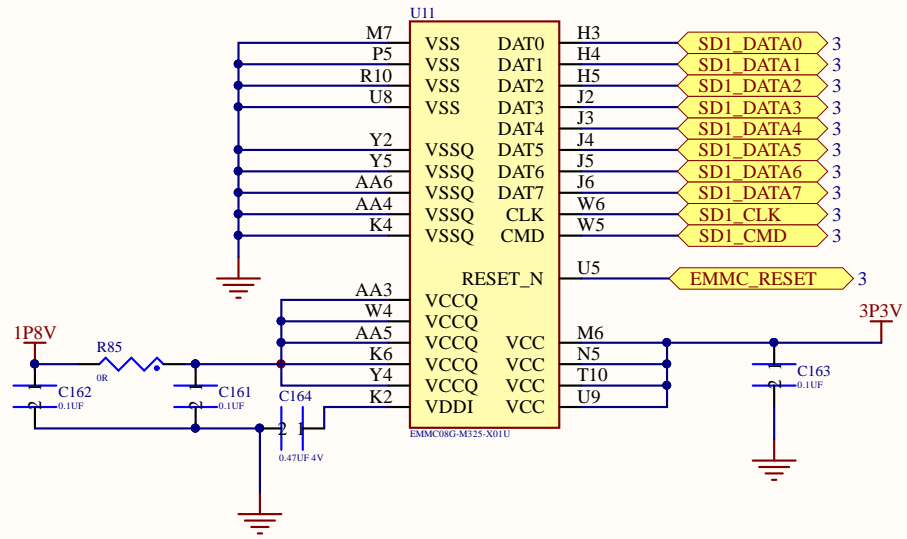
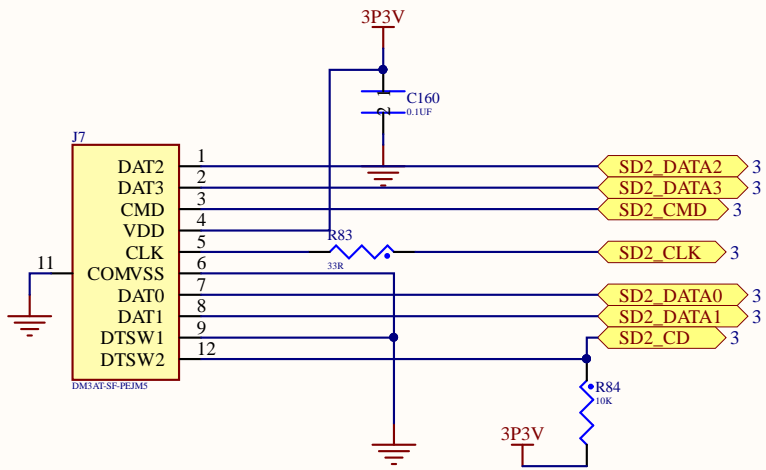



Company	BOUNDARY DEVICES	
Title	USB PORTS	
Project	NIT8M_MINI	Rev REV40A
Date:	8/20/2019	Sheet 6 of 15

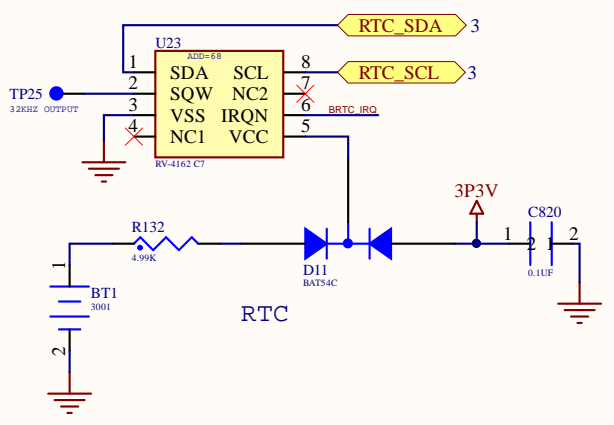
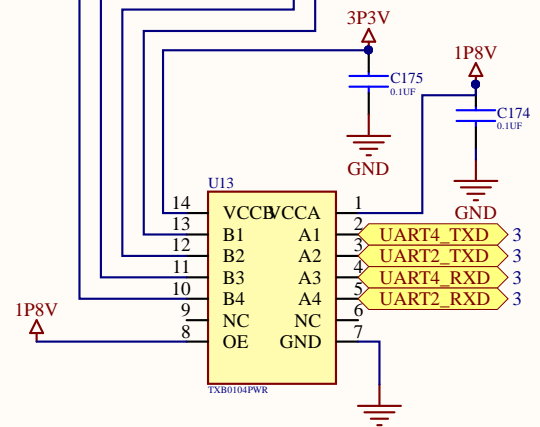
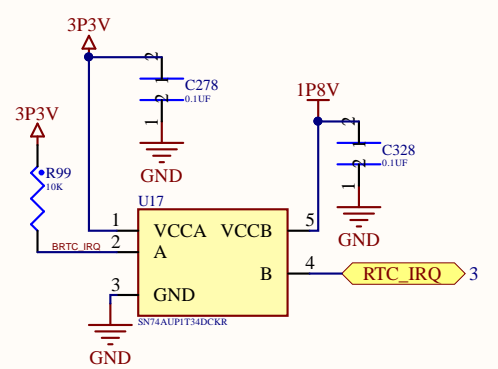
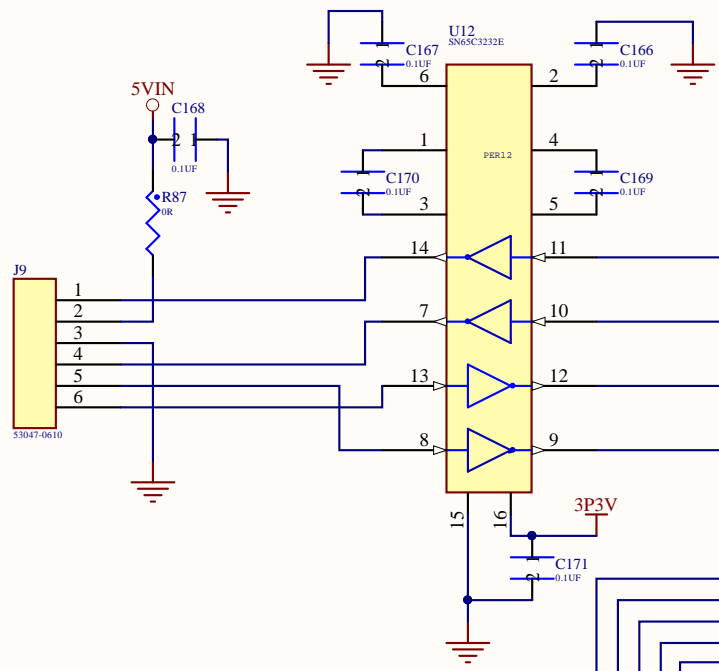
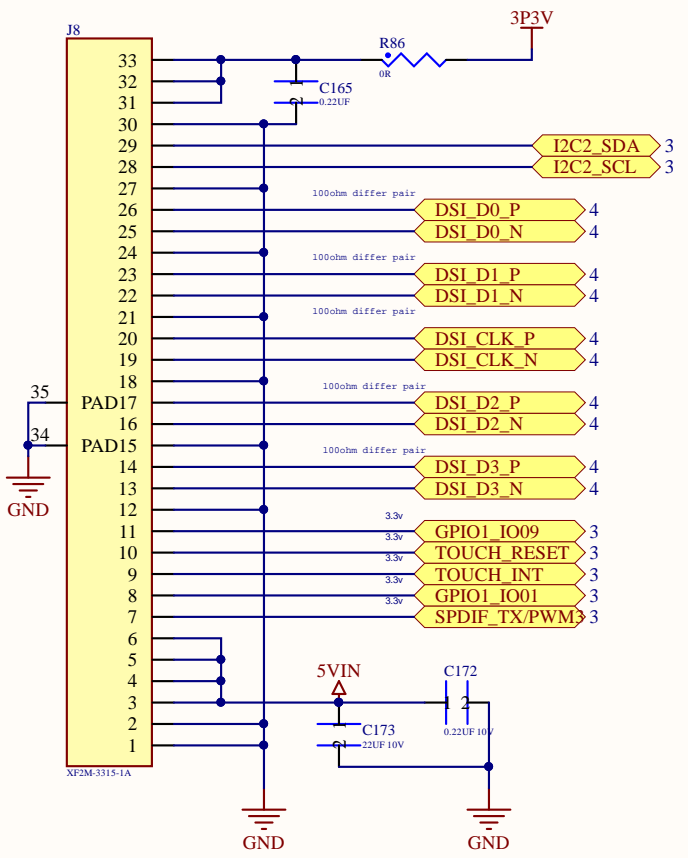


Company	BOUNDARY DEVICES	
Title	AUDIO	
Project	NIT8M_MINI	Rev REV40A
Date:	8/20/2019	Sheet 7 of 15

PRELIMINARY

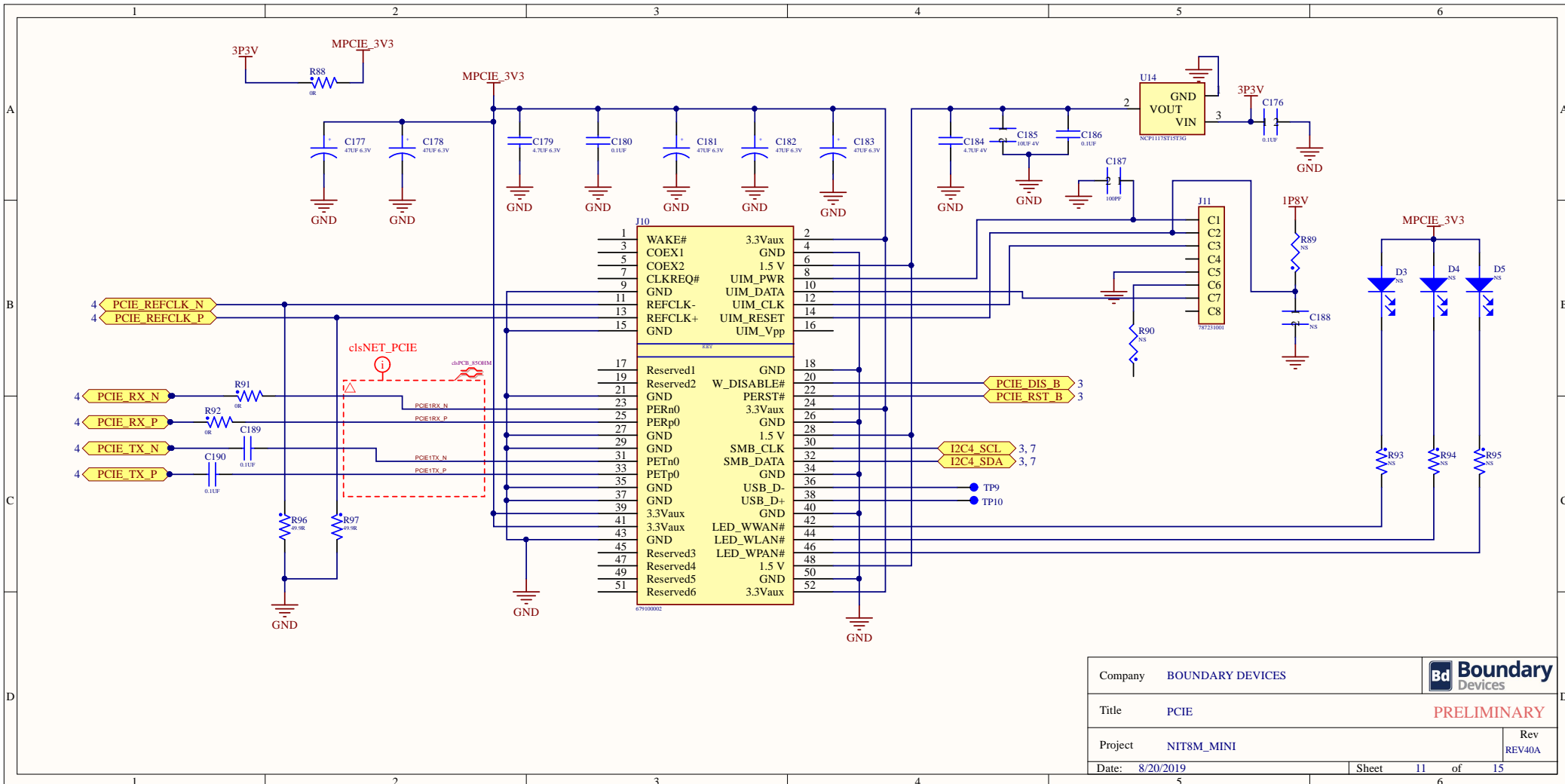


Company	BOUNDARY DEVICES	
Title	EMMC + SD	
Project	NIT8M_MINI	Rev REV40A
Date:	8/20/2019	Sheet 9 of 15

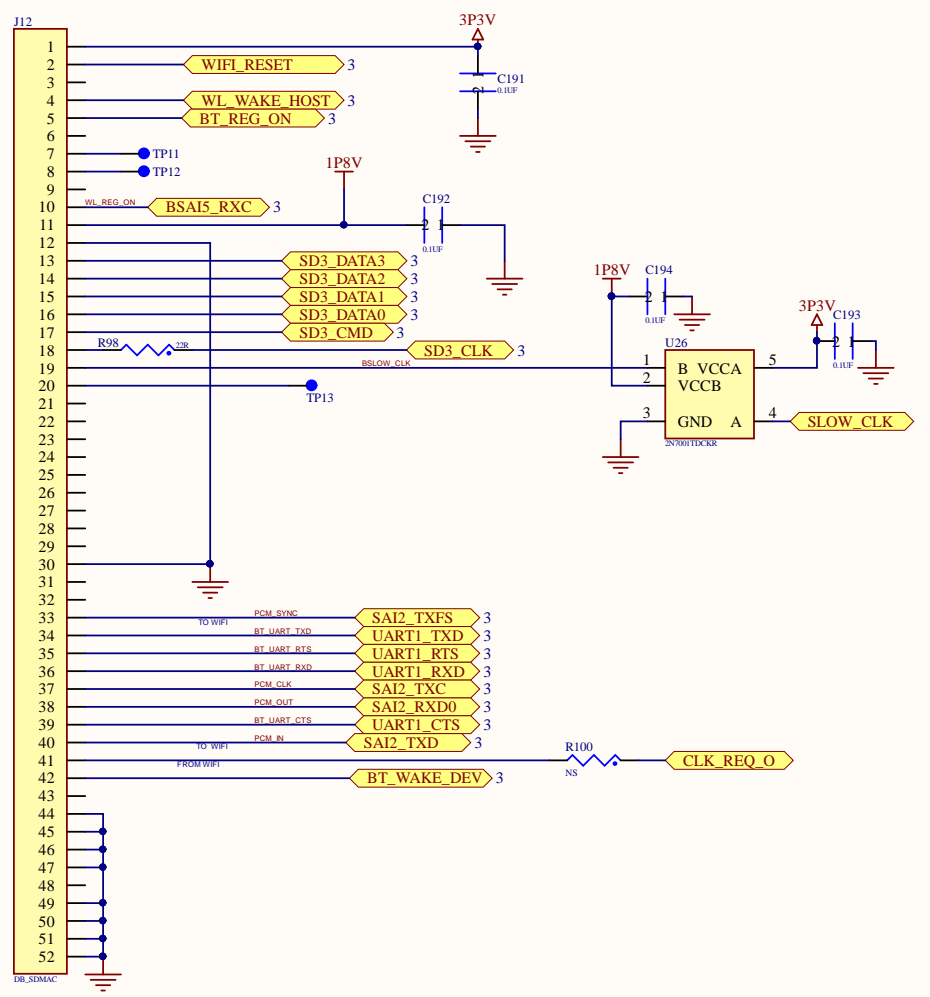



Company	BOUNDARY DEVICES	
Title	DSI +UART	
Project	NIT8M_MINI	Rev REV40A
Date:	8/20/2019	Sheet 10 of 15

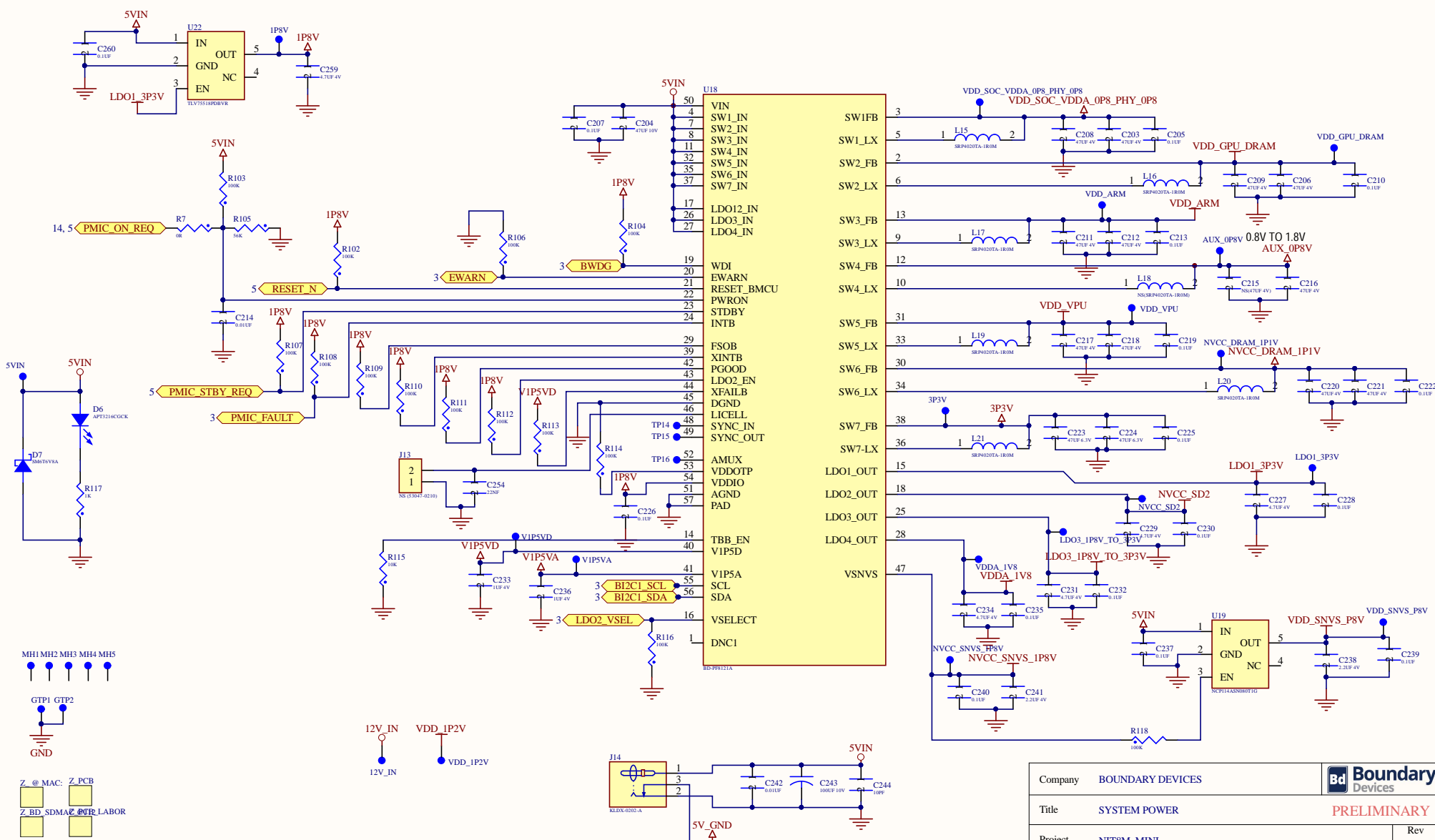
PRELIMINARY



Company	BOUNDARY DEVICES	
Title	PCIE	
Project	NIT8M_MINI	Rev REV40A
Date:	8/20/2019	Sheet 11 of 15

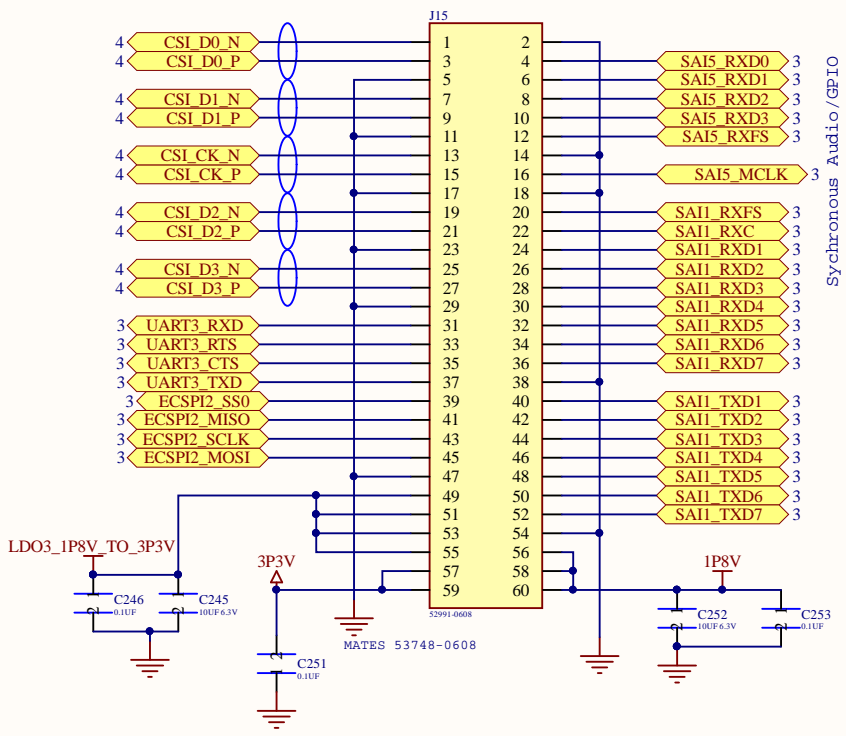


Company	BOUNDARY DEVICES	
Title	WIFI + BT	
Project	NIT8M_MINI	Rev REV40A
Date:	8/20/2019	Sheet 12 of 15



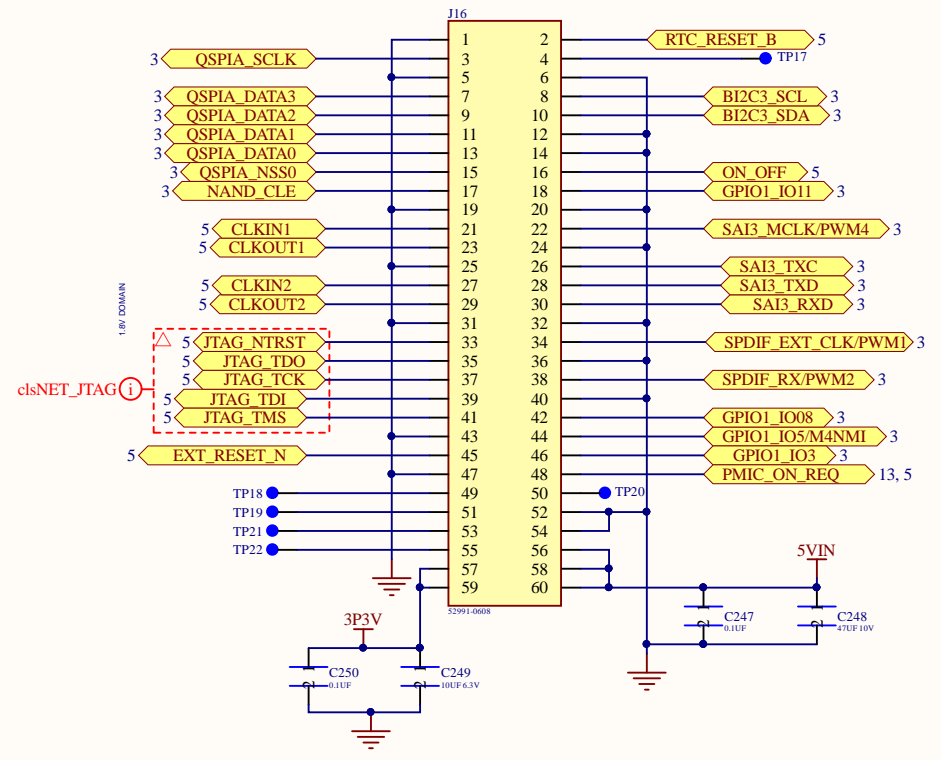
MH1 MH2 MH3 MH4 MHS
GTP1 GTP2
Z_@_MAC Z_PCB
Z_BD_SDMA@_PTR_LABOR

Company	BOUNDARY DEVICES	
Title	SYSTEM POWER	
Project	NIT8M_MINI	PRELIMINARY
Date:	8/20/2019	Rev REV40A
Sheet	13	of 15



Synchronous Audio / GPIO

MIPI CAMERA INTERFACE



Company	BOUNDARY DEVICES	
Title	EXPANSION	
Project	NIT8M_MINI	Rev REV40A
Date:	8/20/2019	Sheet 14 of 15