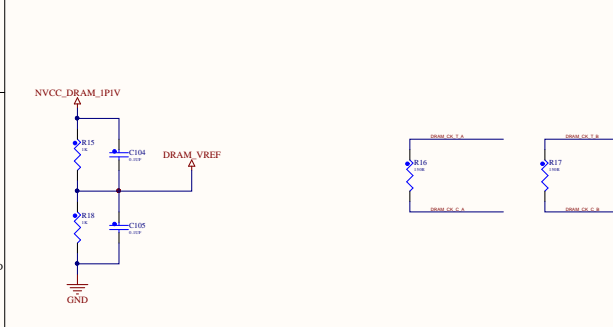
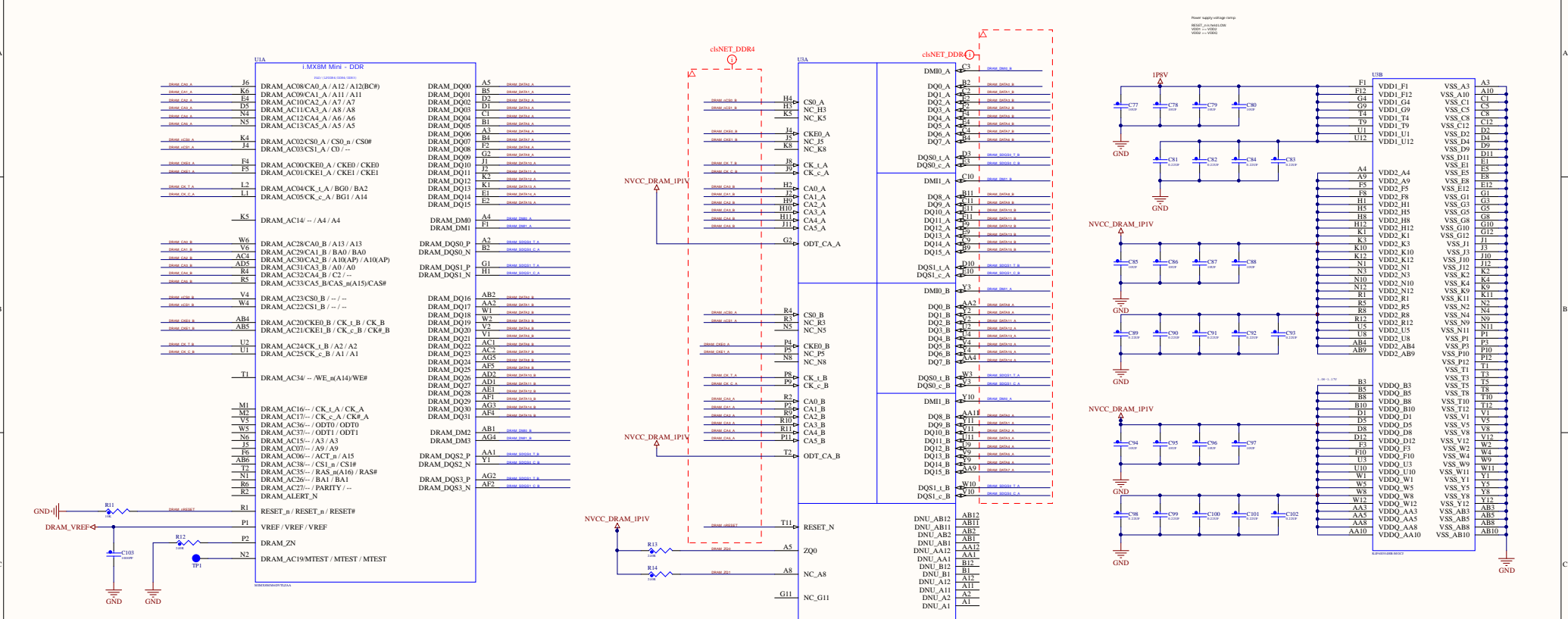
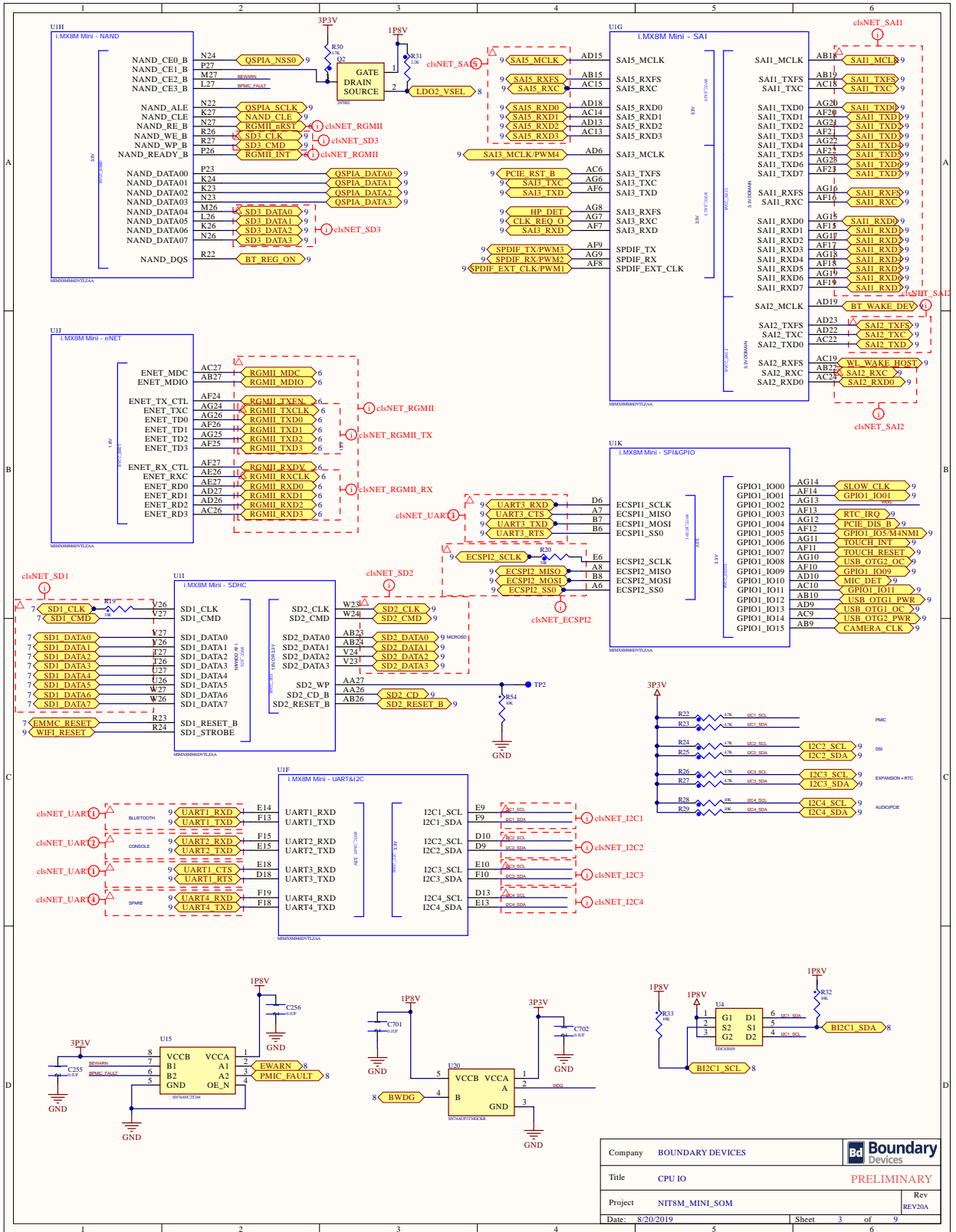


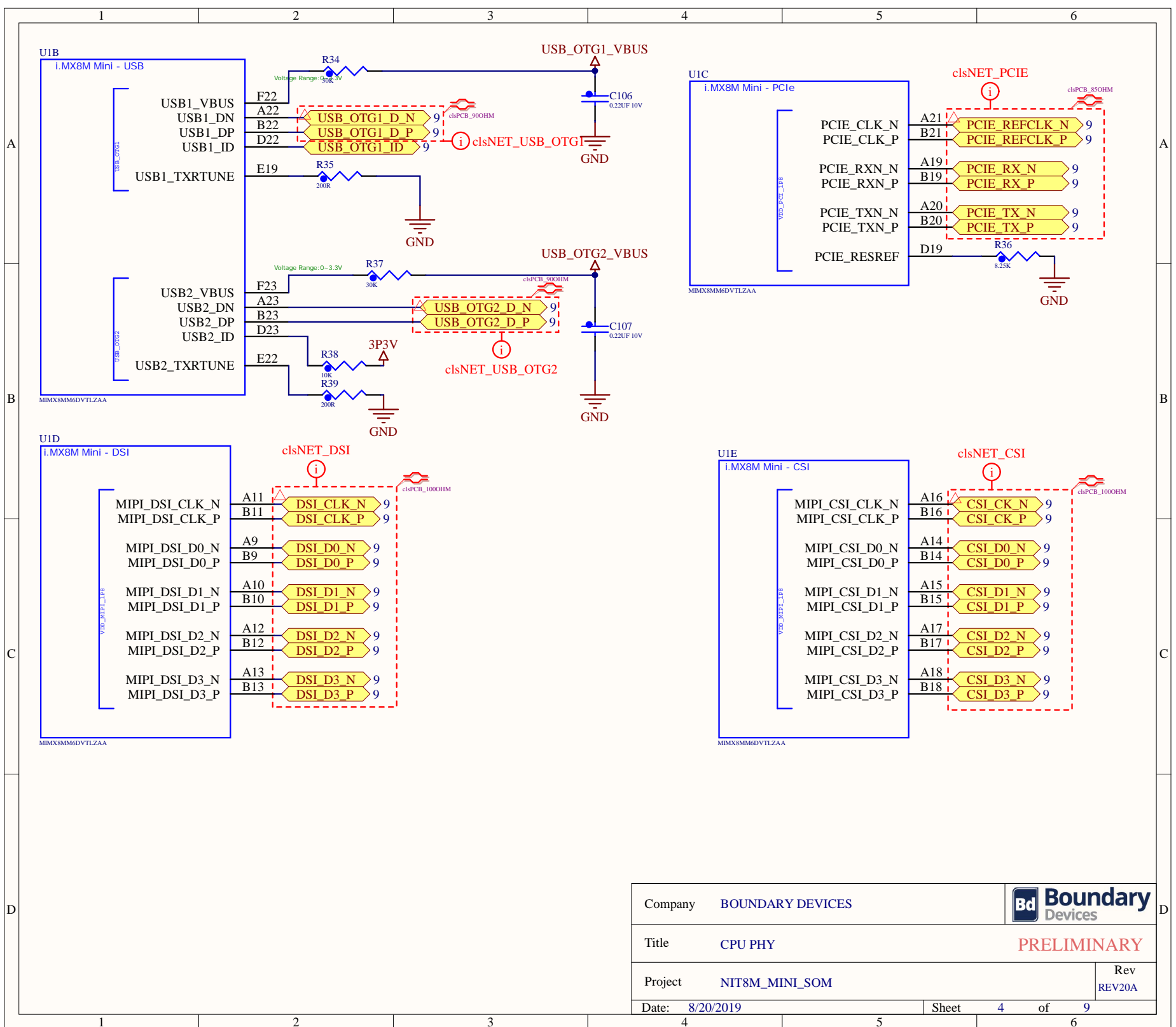
Company	BOUNDARY DEVICES	
Title	CPU PWR	PRELIMINARY
Project	NIT8M_MINI_SOM	Rev REV20A
Date:	8/20/2019	Sheet 1 of 9

# LPDDR4 2GB

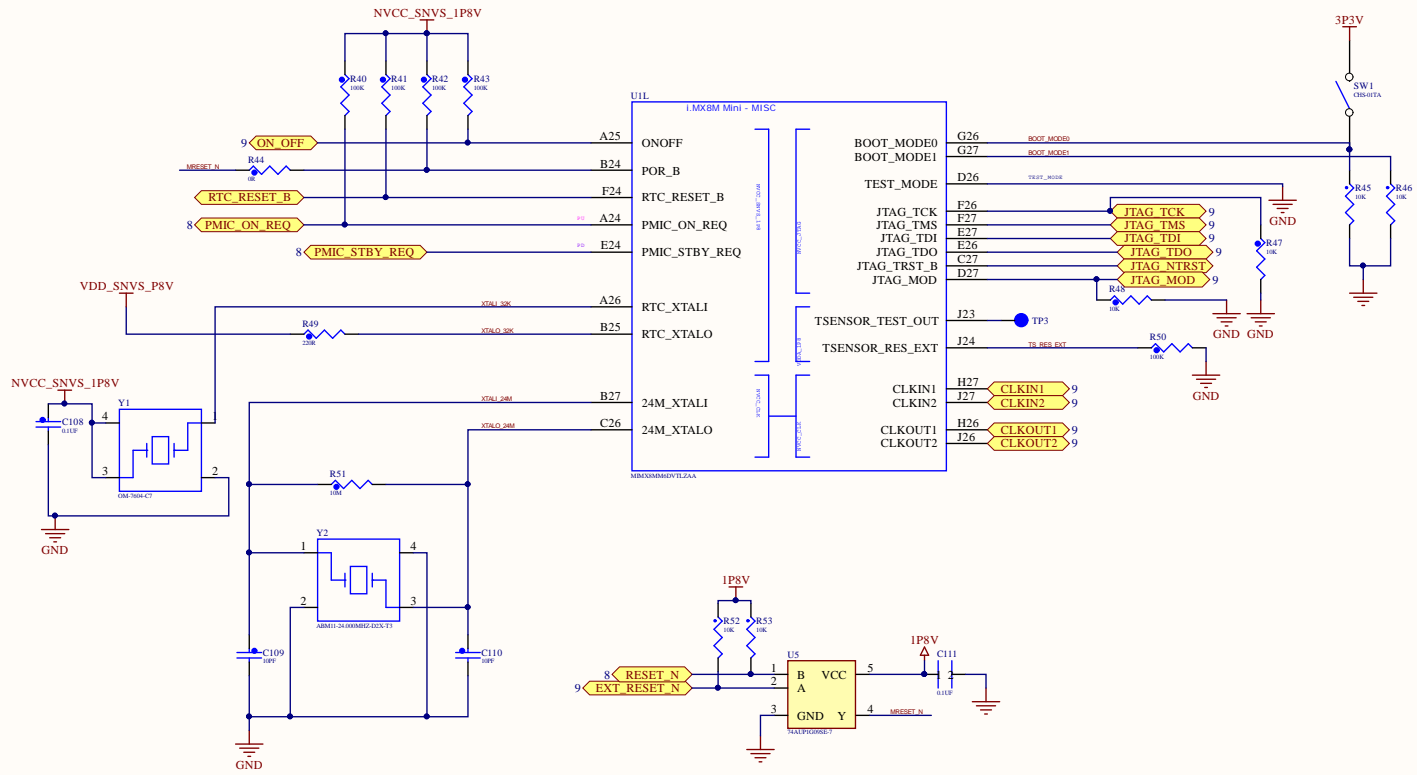


Pin Name	LPDDR4	DDR4	Pin Name	LPDDR4	DDR4
DQ0_A	DRAM_DQ0	DQ0_A	DM0_A	DM0_A	DM0_A
DQ1_A	DRAM_DQ1	DQ1_A	DM1_A	DM1_A	DM1_A
DQ2_A	DRAM_DQ2	DQ2_A	DM2_A	DM2_A	DM2_A
DQ3_A	DRAM_DQ3	DQ3_A	DM3_A	DM3_A	DM3_A
DQ4_A	DRAM_DQ4	DQ4_A	DM4_A	DM4_A	DM4_A
DQ5_A	DRAM_DQ5	DQ5_A	DM5_A	DM5_A	DM5_A
DQ6_A	DRAM_DQ6	DQ6_A	DM6_A	DM6_A	DM6_A
DQ7_A	DRAM_DQ7	DQ7_A	DM7_A	DM7_A	DM7_A
DQ8_A	DRAM_DQ8	DQ8_A	DM8_A	DM8_A	DM8_A
DQ9_A	DRAM_DQ9	DQ9_A	DM9_A	DM9_A	DM9_A
DQ10_A	DRAM_DQ10	DQ10_A	DM10_A	DM10_A	DM10_A
DQ11_A	DRAM_DQ11	DQ11_A	DM11_A	DM11_A	DM11_A
DQ12_A	DRAM_DQ12	DQ12_A	DM12_A	DM12_A	DM12_A
DQ13_A	DRAM_DQ13	DQ13_A	DM13_A	DM13_A	DM13_A
DQ14_A	DRAM_DQ14	DQ14_A	DM14_A	DM14_A	DM14_A
DQ15_A	DRAM_DQ15	DQ15_A	DM15_A	DM15_A	DM15_A
CS0_A	CS0_A	CS0_A	DM16_A	DM16_A	DM16_A
CS1_B	CS1_B	CS1_B	DM17_A	DM17_A	DM17_A
CKE0_B	CKE0_B	CKE0_B	DM18_A	DM18_A	DM18_A
CKE1_B	CKE1_B	CKE1_B	DM19_A	DM19_A	DM19_A
CKA0_B	CKA0_B	CKA0_B	DM20_A	DM20_A	DM20_A
CKA1_B	CKA1_B	CKA1_B	DM21_A	DM21_A	DM21_A
CKA2_B	CKA2_B	CKA2_B	DM22_A	DM22_A	DM22_A
CKA3_B	CKA3_B	CKA3_B	DM23_A	DM23_A	DM23_A
CKA4_B	CKA4_B	CKA4_B	DM24_A	DM24_A	DM24_A
CKA5_B	CKA5_B	CKA5_B	DM25_A	DM25_A	DM25_A
ODT_CA_A	ODT_CA_A	ODT_CA_A	DM26_A	DM26_A	DM26_A
ODT_CA_B	ODT_CA_B	ODT_CA_B	DM27_A	DM27_A	DM27_A
RESET_N	RESET_N	RESET_N	DM28_A	DM28_A	DM28_A
ZQ0	ZQ0	ZQ0	DM29_A	DM29_A	DM29_A
NC_A8	NC_A8	NC_A8	DM30_A	DM30_A	DM30_A
NC_G11	NC_G11	NC_G11	DM31_A	DM31_A	DM31_A

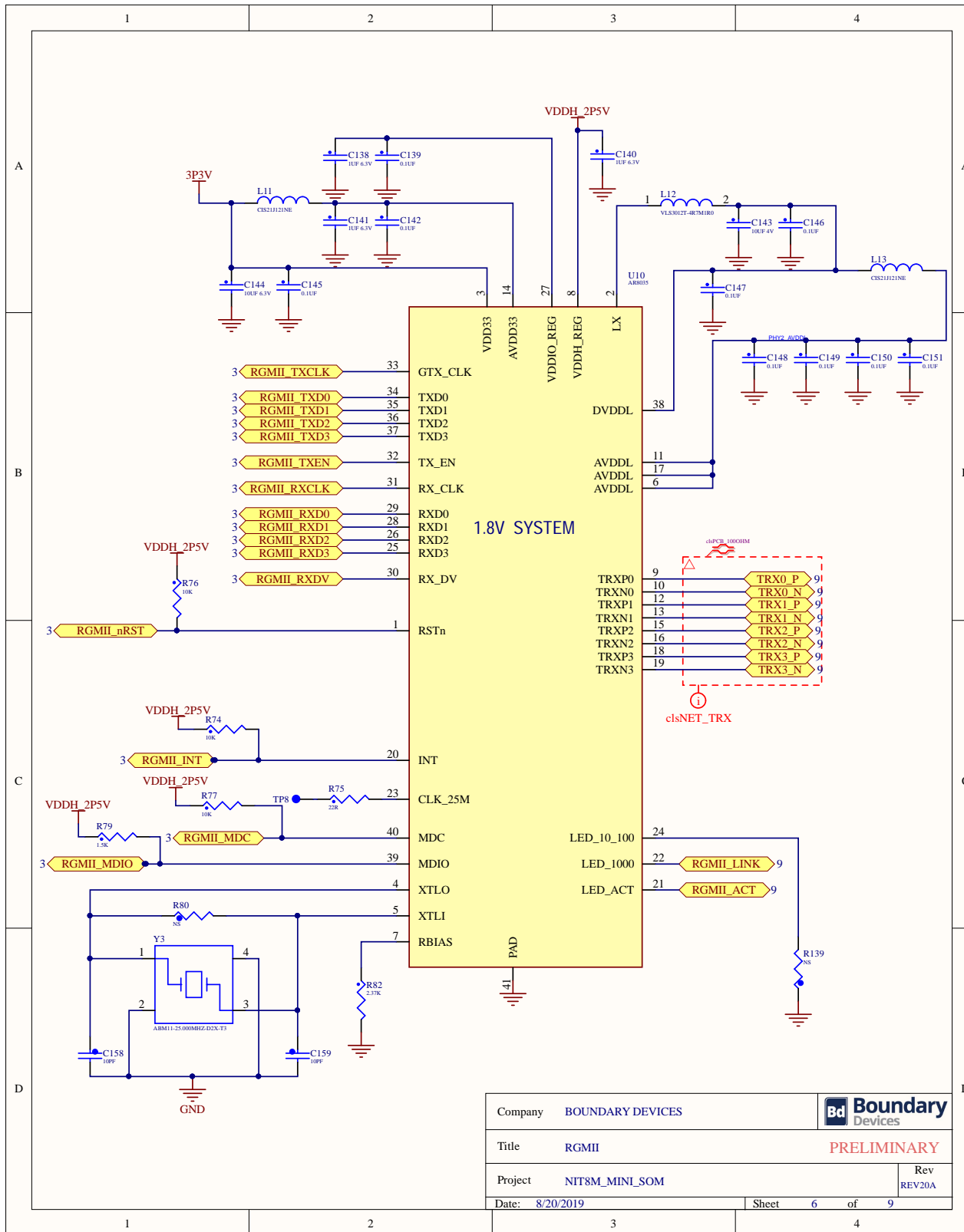




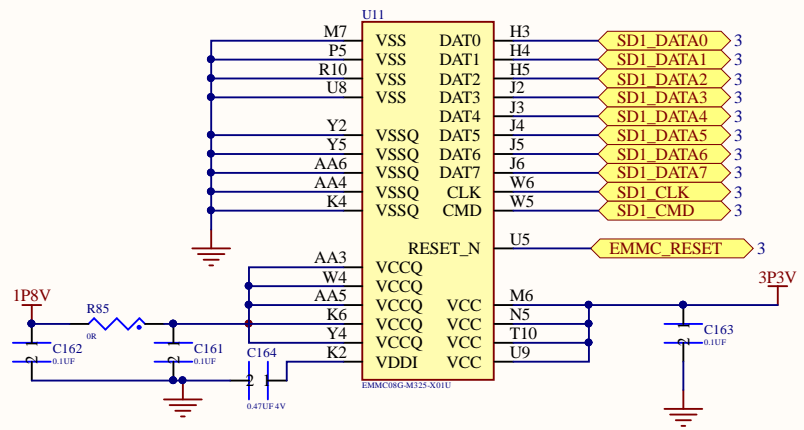
Company	BOUNDARY DEVICES	
Title	CPU PHY	
Project	NIT8M_MINI_SOM	Rev REV20A
Date:	8/20/2019	Sheet 4 of 9




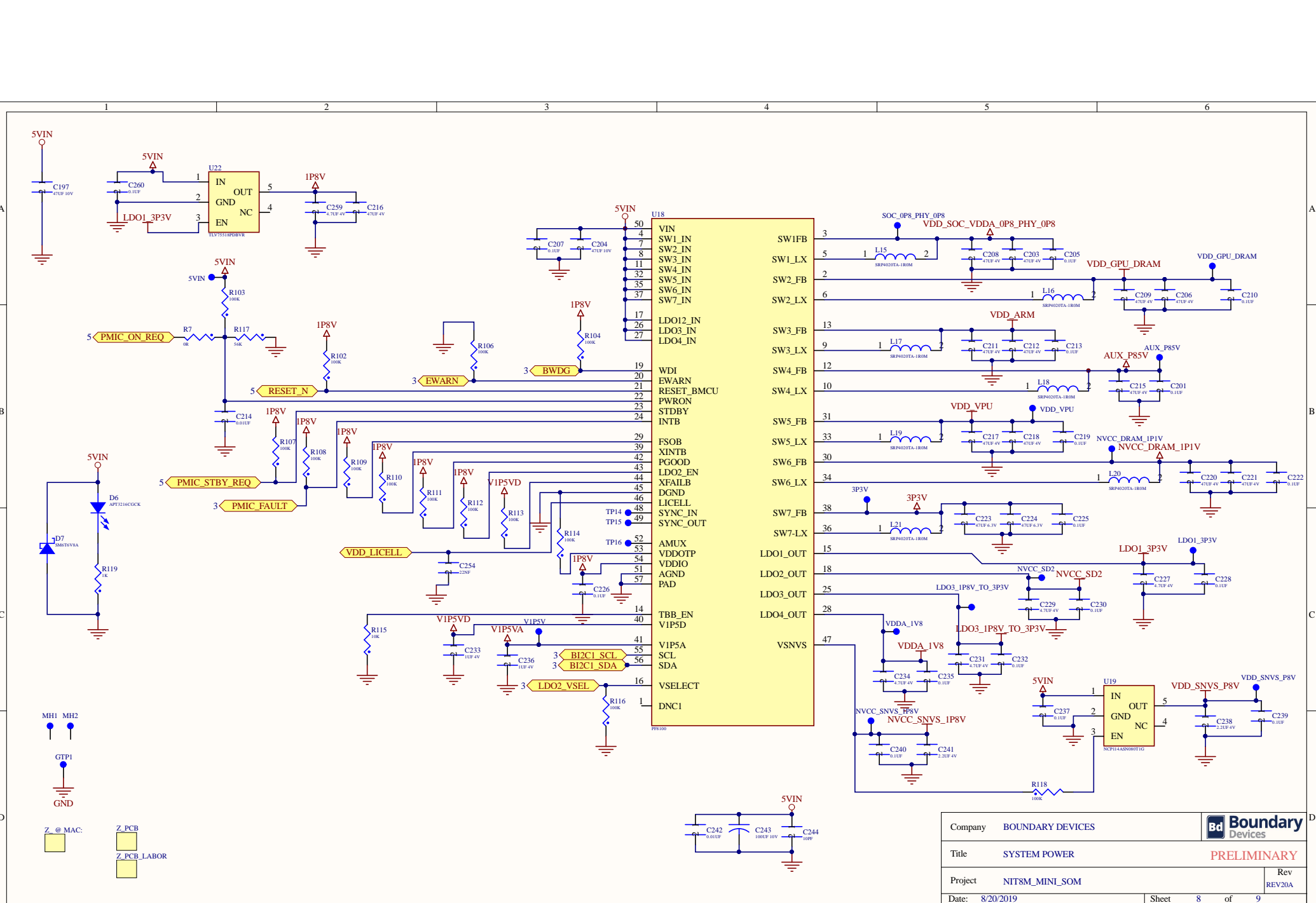
Company	BOUNDARY DEVICES		PRELIMINARY
Title	CPU MISC		
Project	NIT8M_MINI_SOM	Rev	REV20A
Date:	8/20/2019	Sheet	5 of 9



Company	BOUNDARY DEVICES	
Title	RGMII	
Project	NIT8M_MINI_SOM	Rev REV20A
Date:	8/20/2019	Sheet 6 of 9

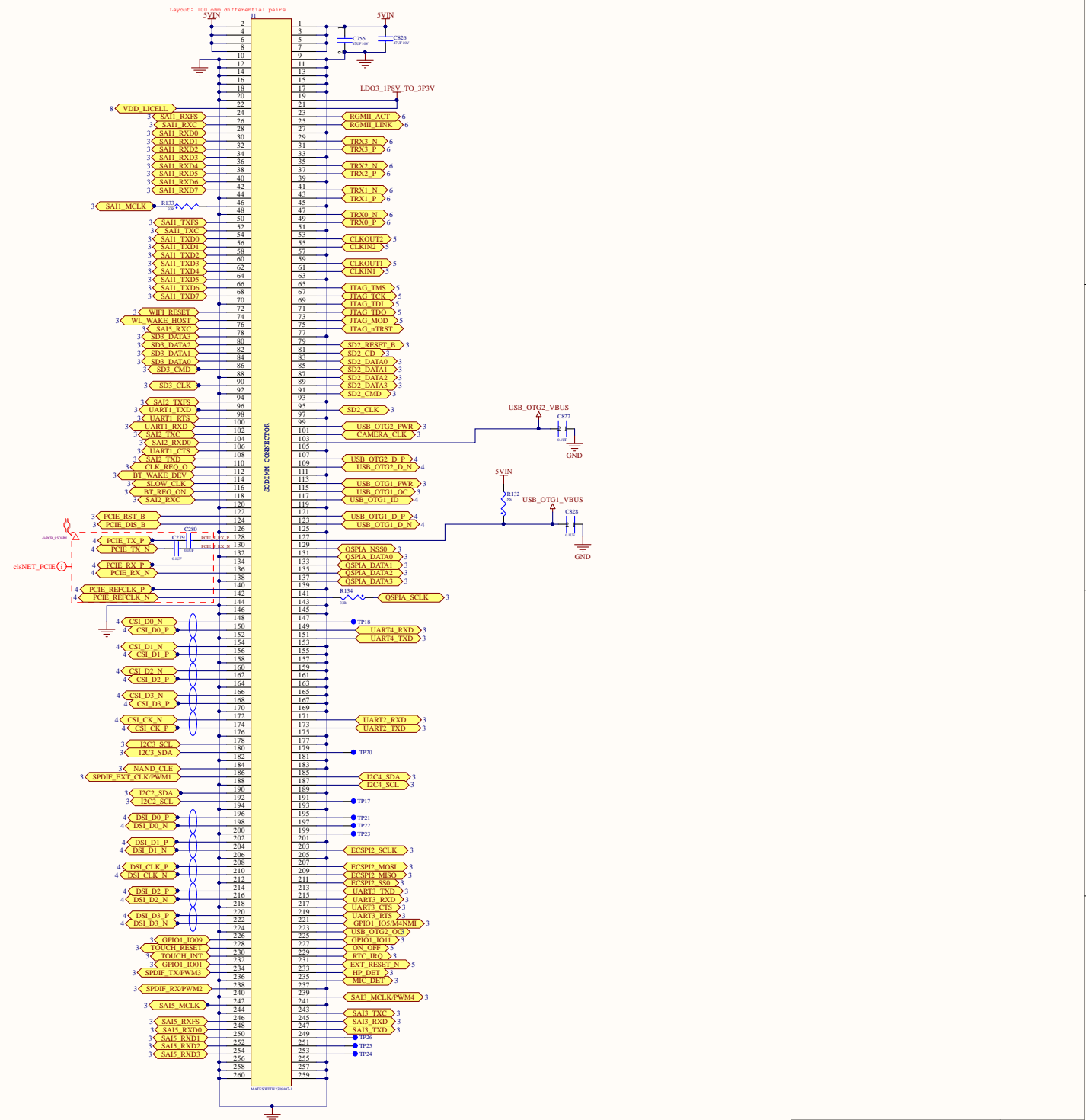


Company	BOUNDARY DEVICES	
Title	EMMC + SD	
Project	NIT8M_MINI_SOM	Rev REV20A
Date:	8/20/2019	Sheet 7 of 9



Company	BOUNDARY DEVICES	
Title	SYSTEM POWER	
Project	NIT8M_MINI_SOM	Rev REV20A
Date:	8/20/2019	Sheet 8 of 9





Company	BOUNDARY DEVICES		Boundary Devices
Title	IOCONNECTOR		PRELIMINARY
Project	NFSM_MINI_SOM		Rev 20A
Date	8/20/2019	Sheet	9 of 9