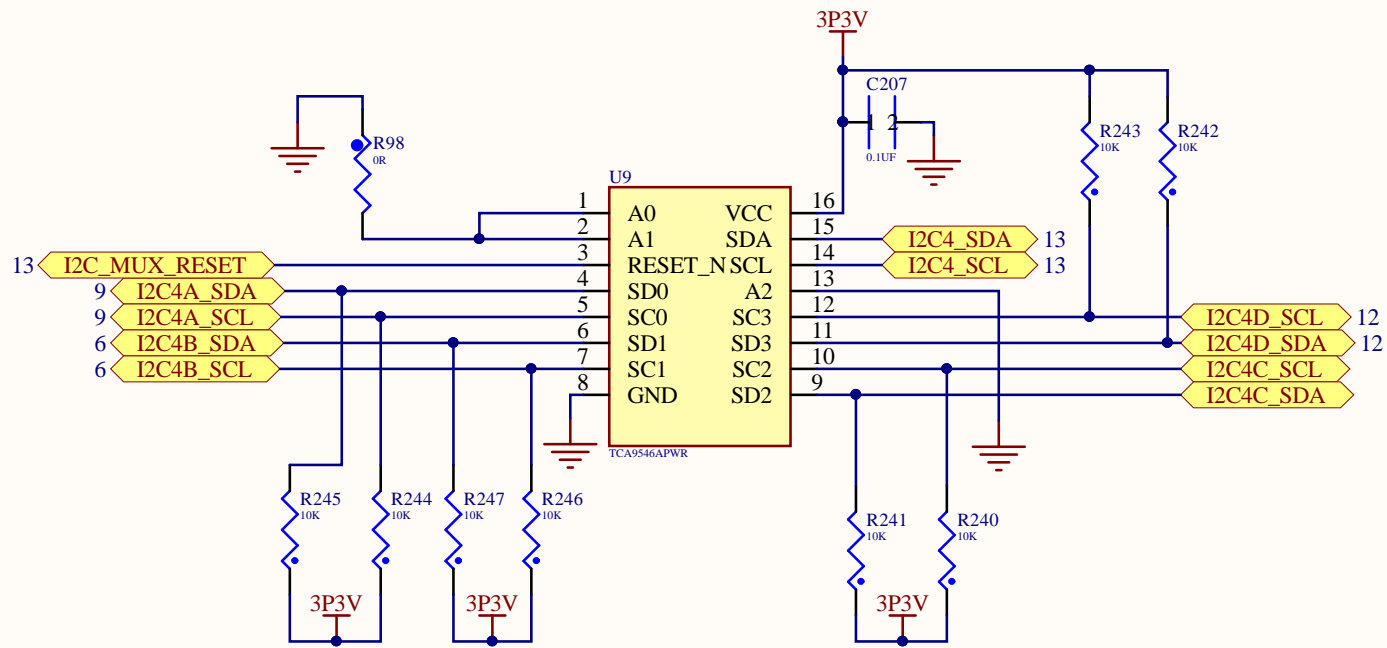

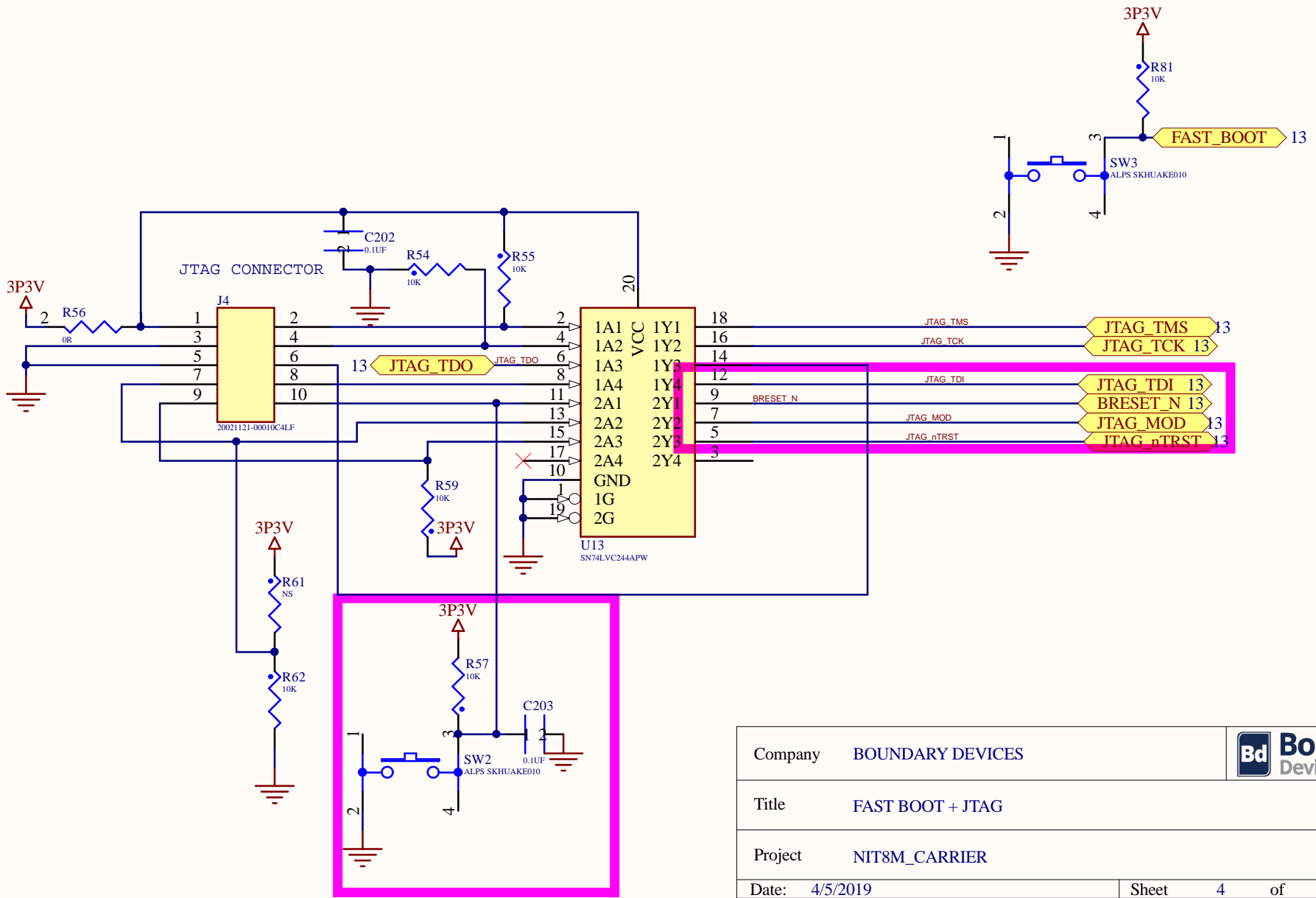


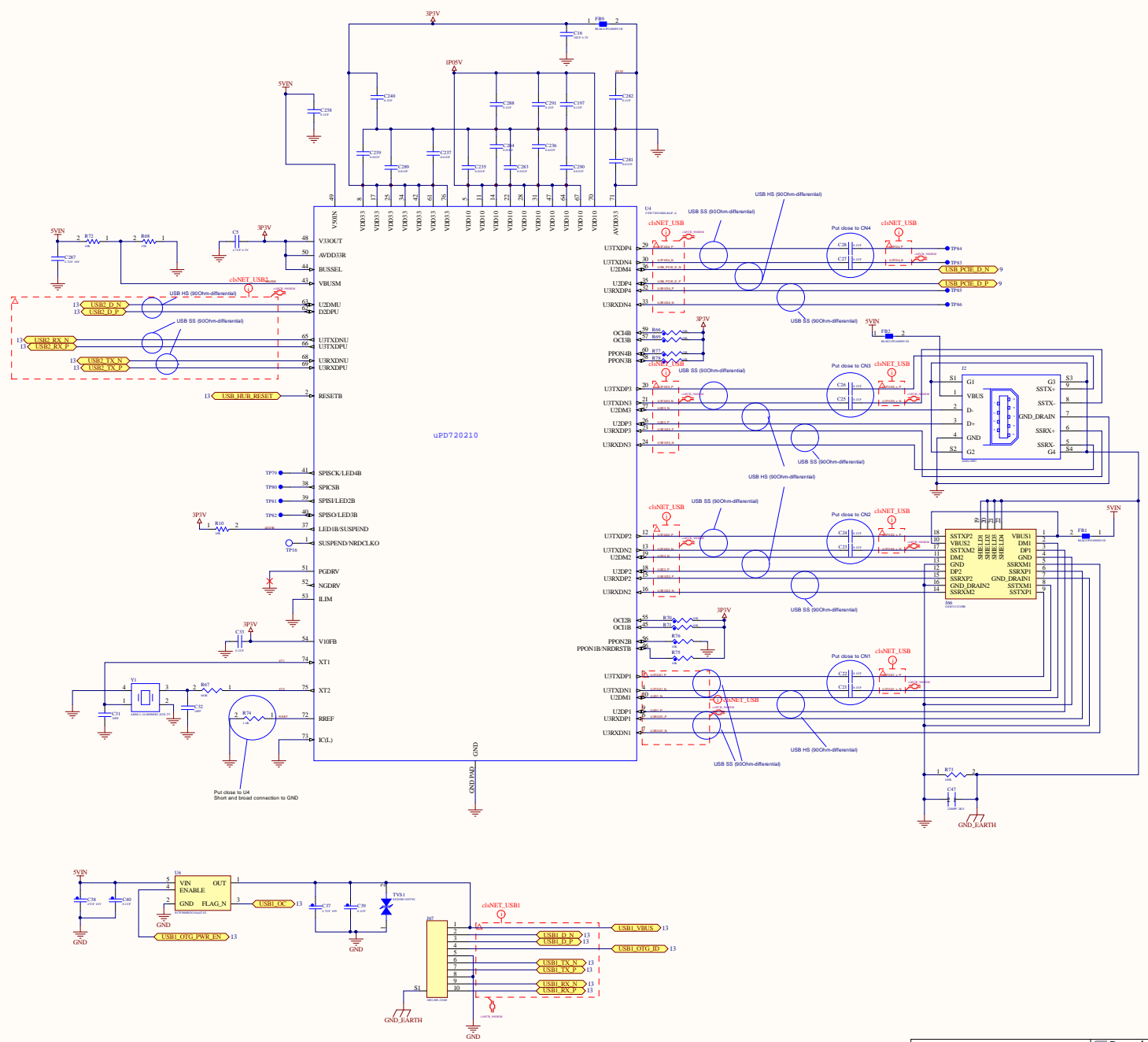
Company	BOUNDARY DEVICES	
Title	SYSTEM POWER	
Project	NIT8M_CARRIER	Rev REV00
Date:	4/5/2019	Sheet 2 of 13



Company	BOUNDARY DEVICES	
Title	I2C MUX	
Project	NIT8M_CARRIER	Rev REV00
Date:	4/5/2019	Sheet 3 of 13

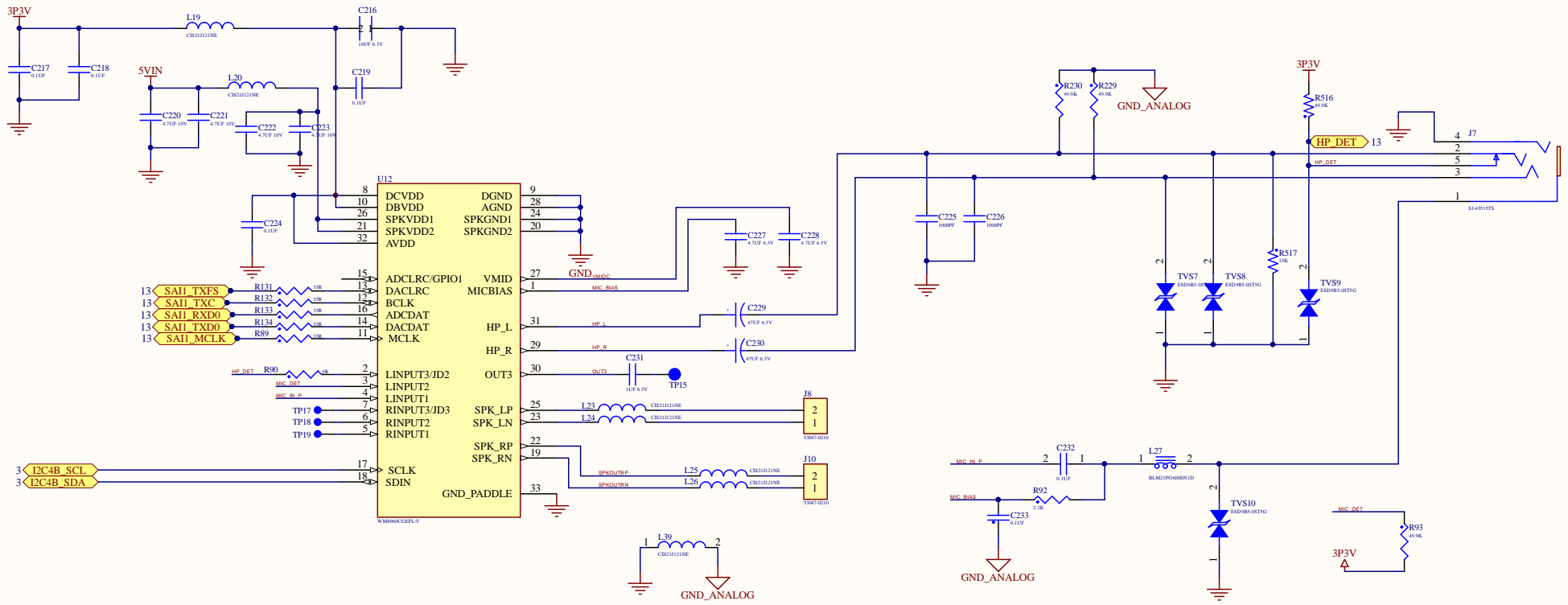


Company	BOUNDARY DEVICES	
Title	FAST BOOT + JTAG	
Project	NIT8M_CARRIER	Rev REV00
Date:	4/5/2019	Sheet 4 of 13



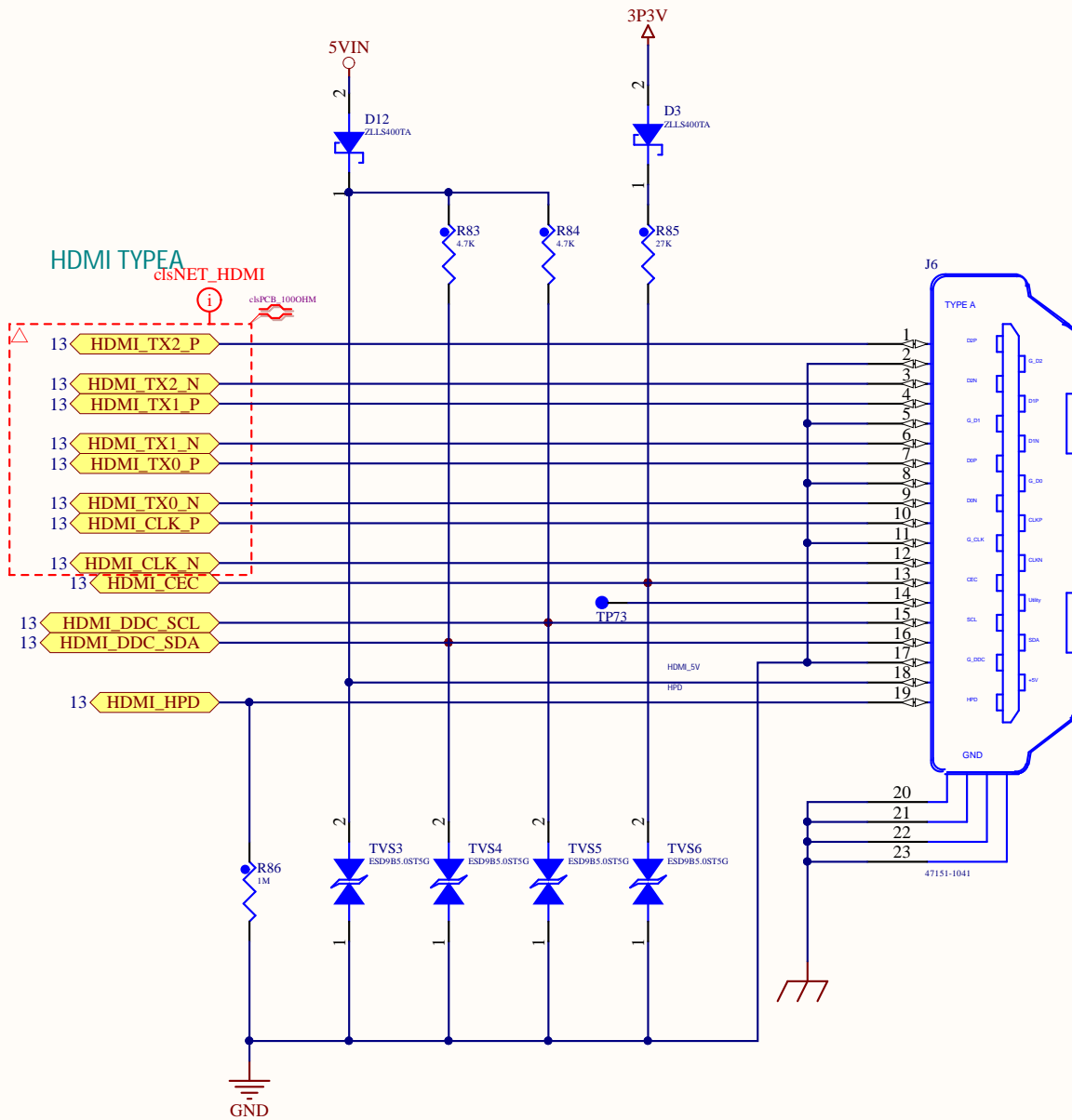
Company	BOUNDARY DEVICES	
Title	USB	
Project	NITSM_CARRIER	Rev
Date	4/5/2019	REV00
		Sheet 5 of 11

Layout: 95ohm differential pairs

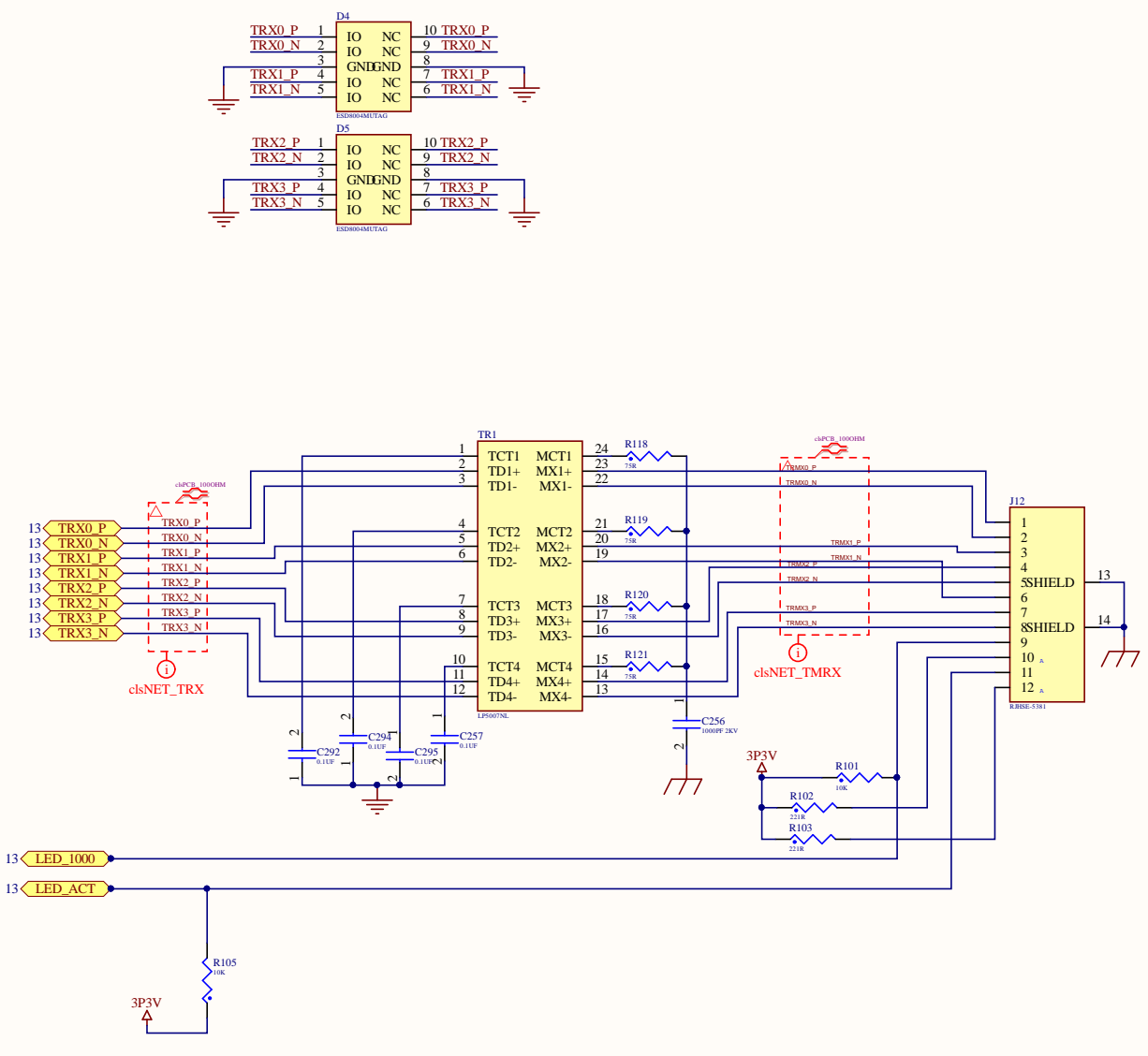


Company	BOUNDARY DEVICES		
Title	AUDIO CODEC		
Project	NIT8M_CARRIER		Rev REV00
Date:	4/5/2019	Sheet	6 of 13

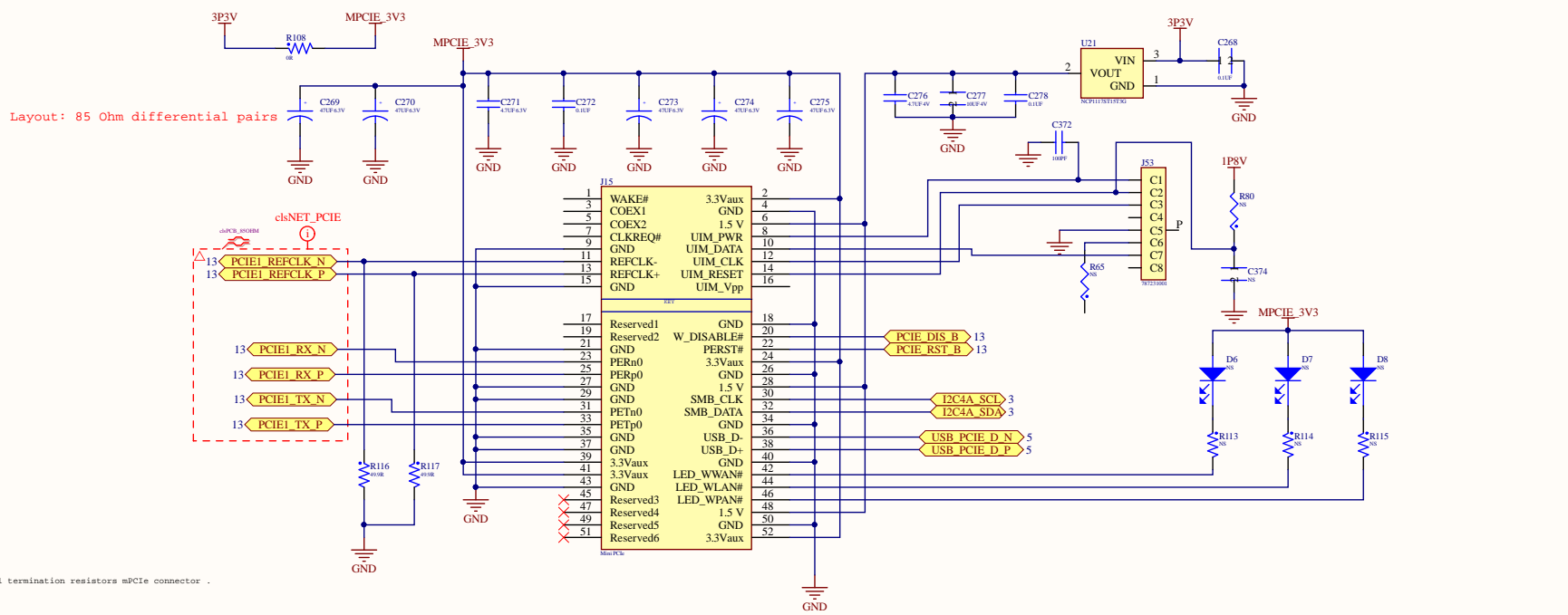
HDMI 2.0a TX



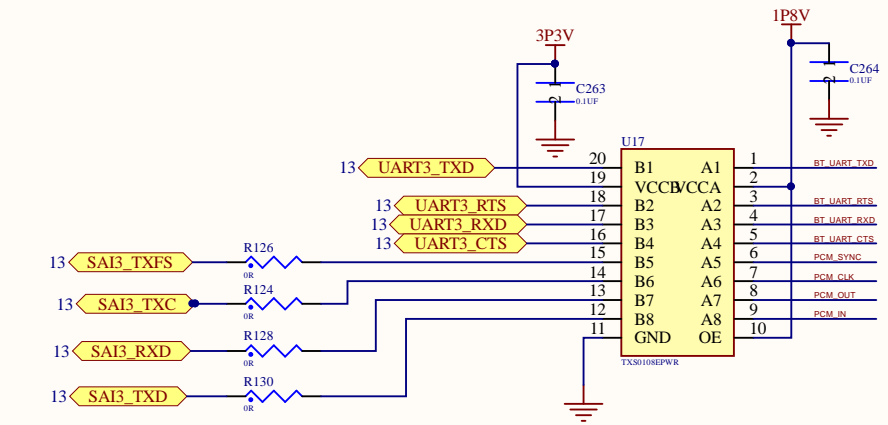
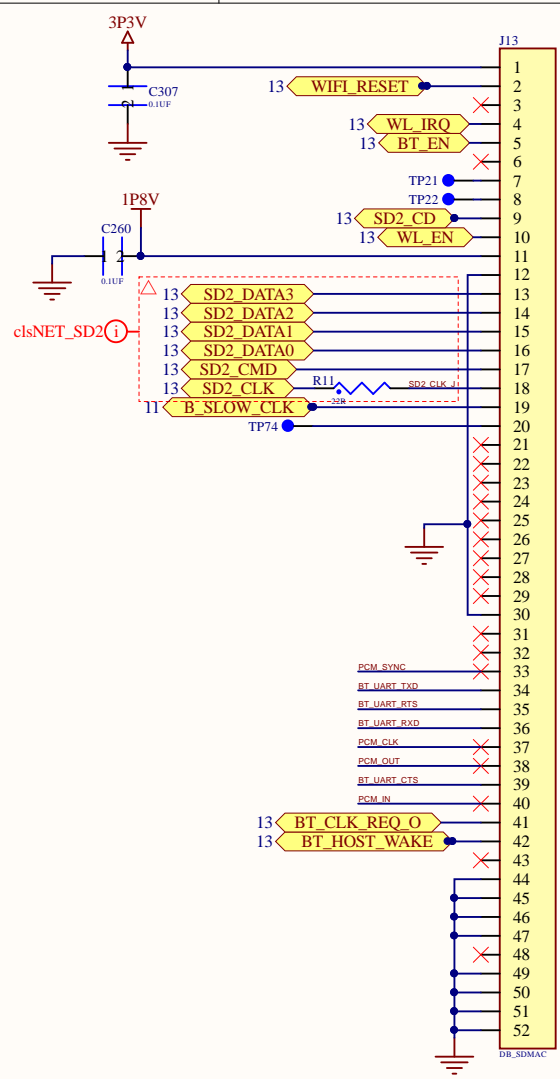
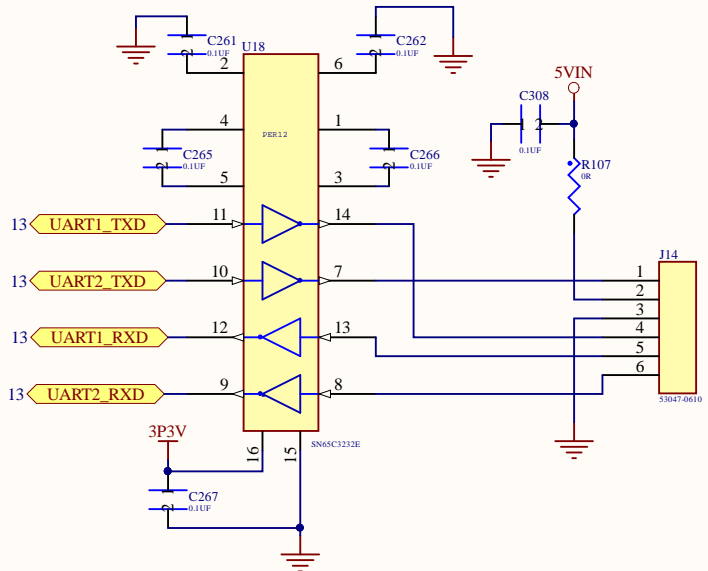
Company	BOUNDARY DEVICES		
Title	HDMI		
Project	NIT8M_CARRIER		Rev REV00
Date:	4/5/2019	Sheet	7 of 13



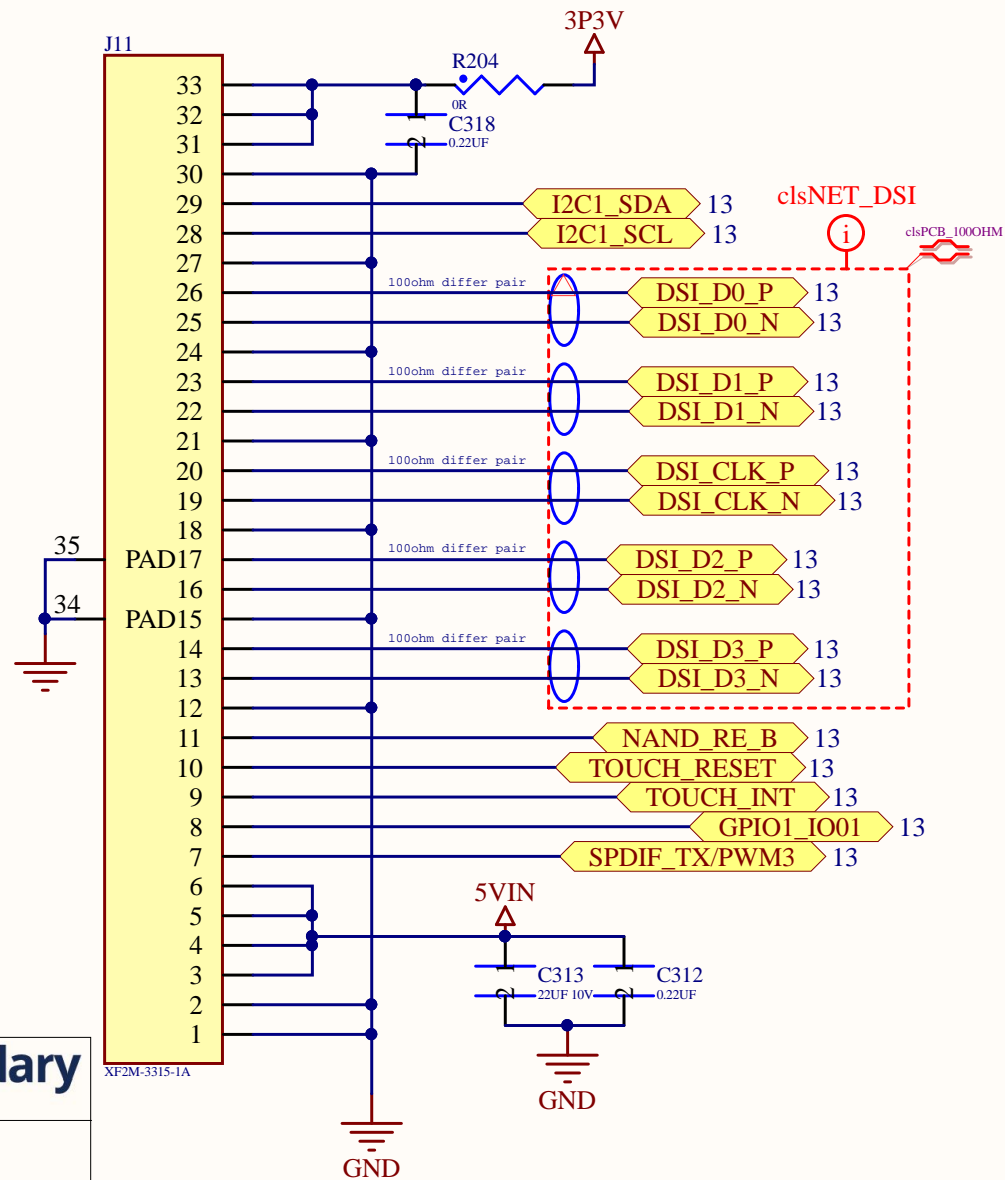
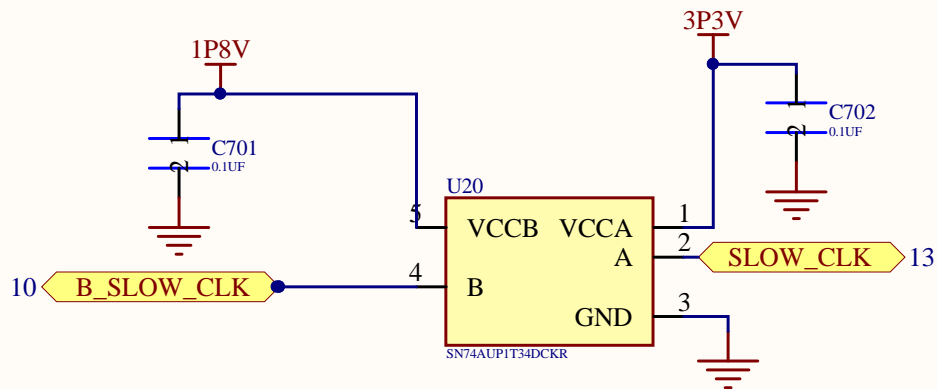
Company	BOUNDARY DEVICES		
Title	RGMII		
Project	NIT8M_CARRIER		Rev
Date:	4/5/2019	Sheet	8 of 13
			REV00



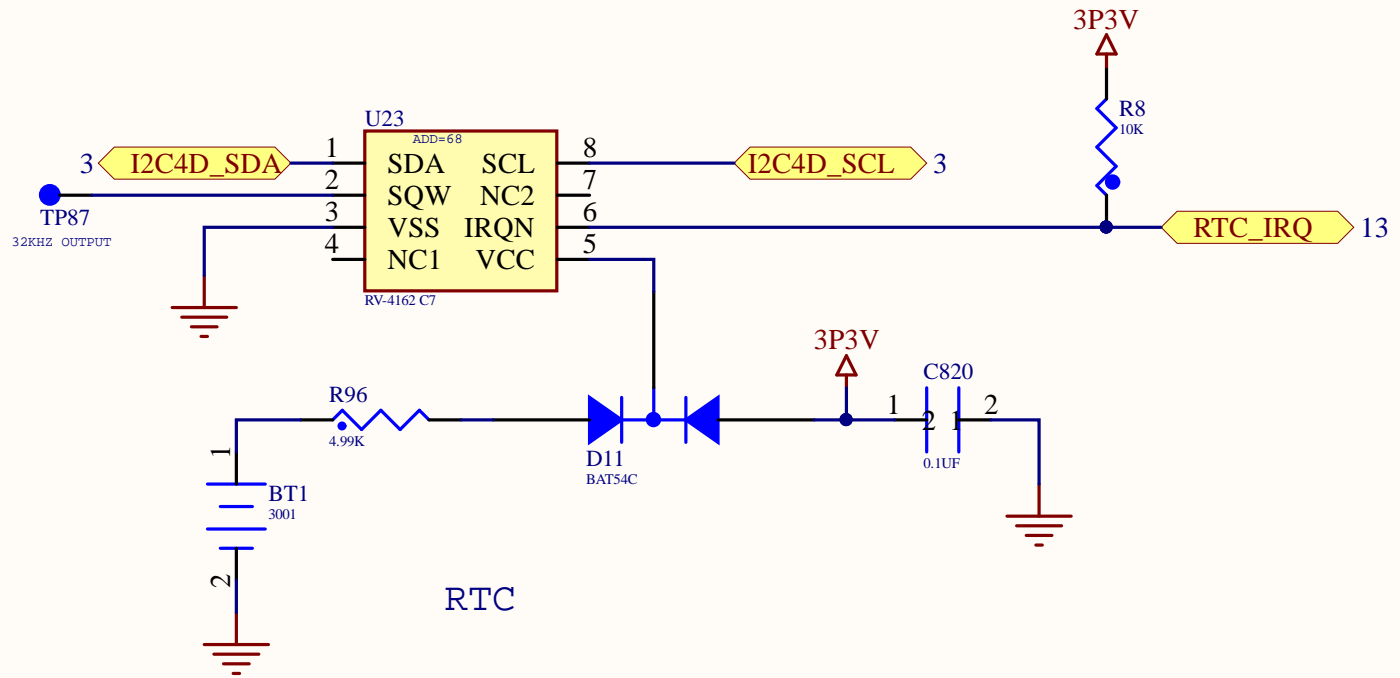
Company	BOUNDARY DEVICES	
Title	PCIE	
Project	NIT8M_CARRIER	Rev REV00
Date:	4/5/2019	Sheet 9 of 13




Company	BOUNDARY DEVICES	
Title	WIFI + UART	
Project	NIT8M_CARRIER	Rev REV00
Date:	4/5/2019	Sheet 10 of 13

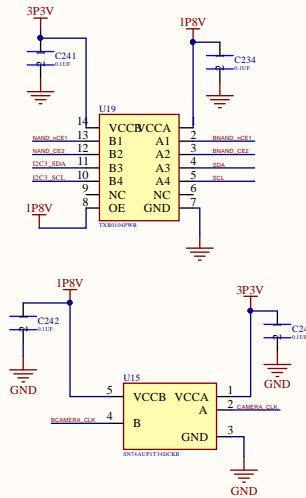
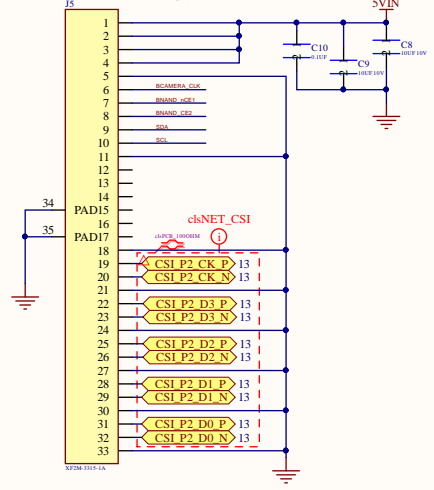
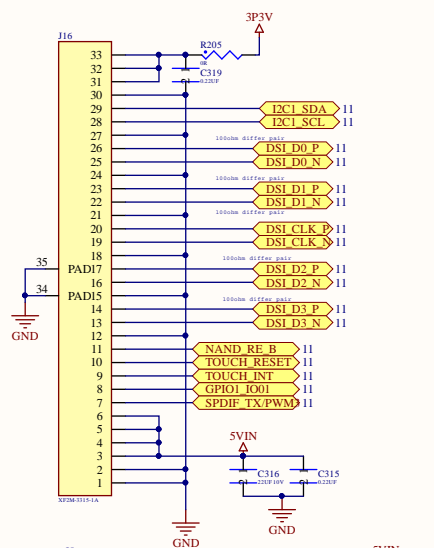
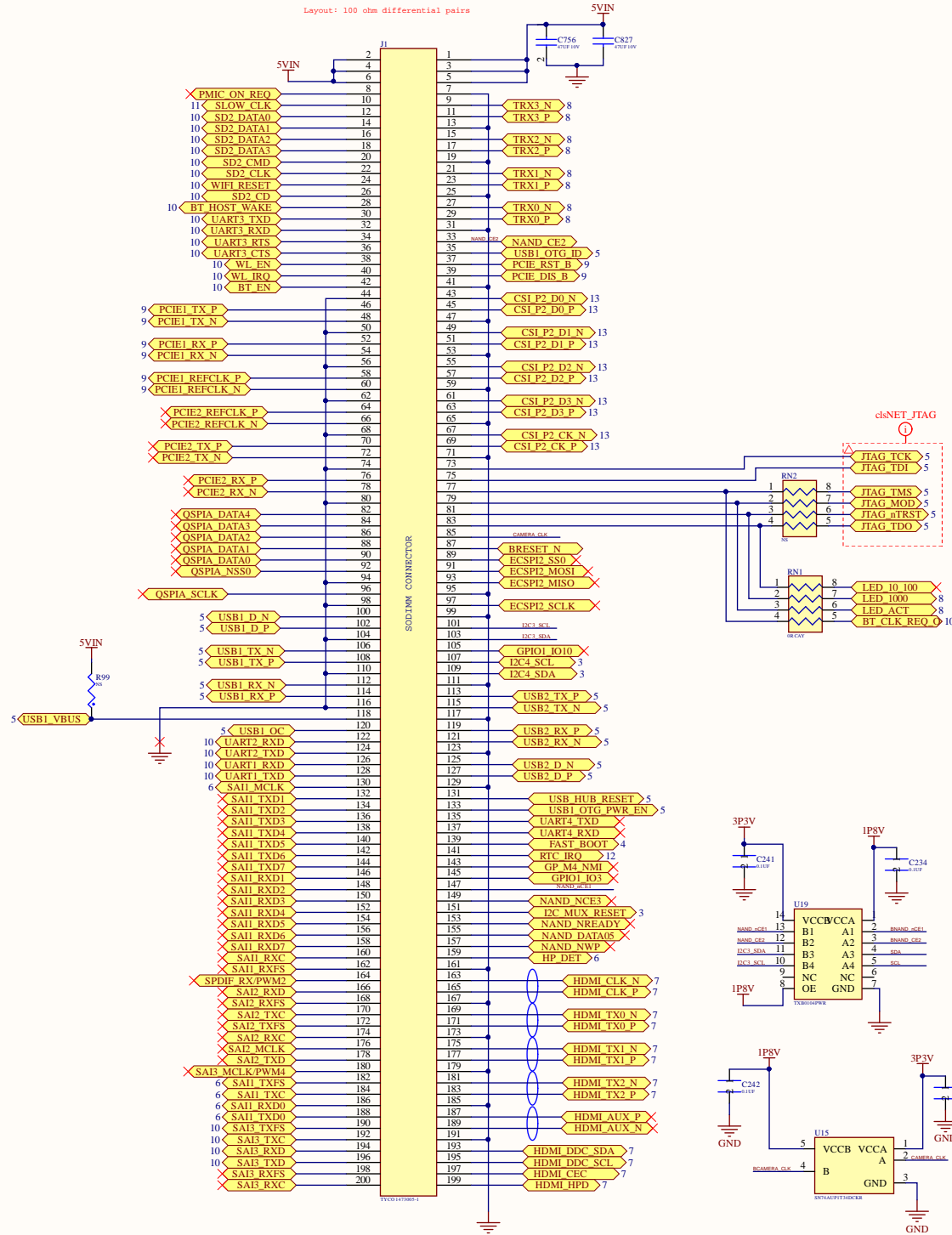


Company	BOUNDARY DEVICES		
Title	DSI		
Project	NIT8M_CARRIER		Rev REV00
Date:	4/5/2019	Sheet 11 of 13	



Company	BOUNDARY DEVICES			
Title	RTC			
Project	NIT8M_CARRIER			Rev REV00
Date:	4/5/2019	Sheet	12	of 13

Layout: 100 ohm differential pairs



Company	BOUNDARY DEVICES		
Title	EXPANSION CONNECTOR		
Project	NIT8M_CARRIER	Rev	REV00
Date:	4/5/2019	Sheet	13 of 13