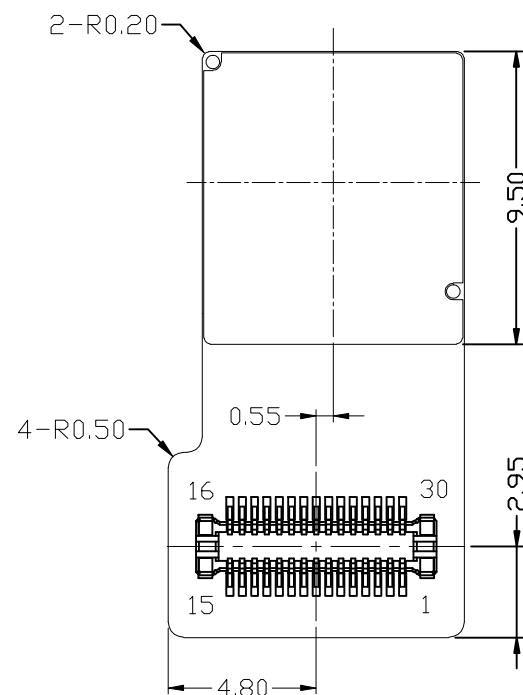
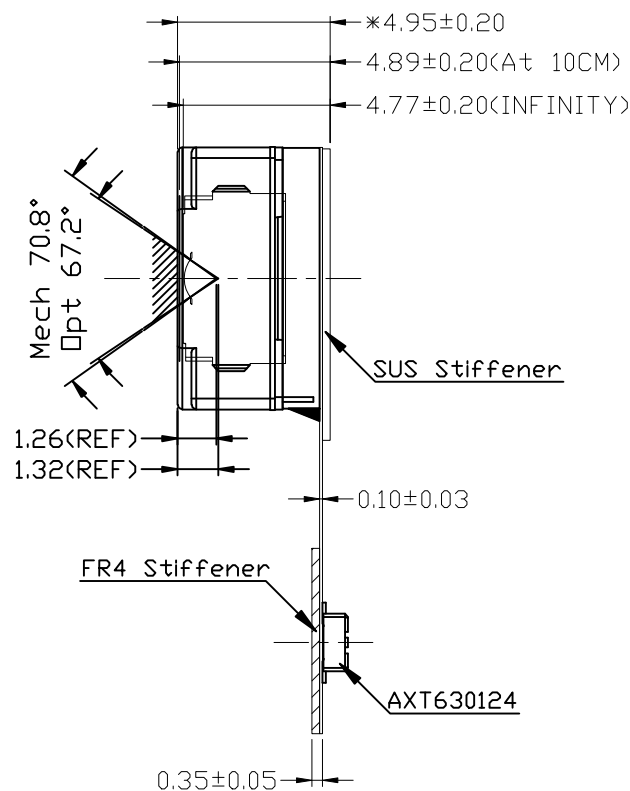
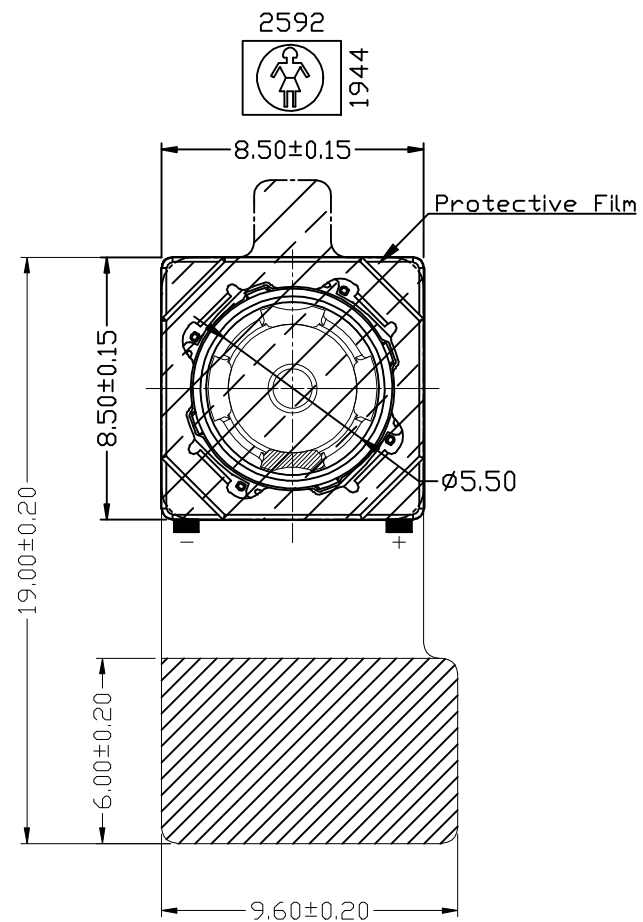


Customer No.:

CO8725-B5SA-E Camera Module

Hazardous Substance Management Standards

- EU RoHS
- EU RoHS + Halogen-Free
- Hazardous Substance Management Standards
- Ver. __



30PIN DESCRIPTION

PIN NO	NAME
1	STROBE
2	AF_GND
3	AF_VDD_2V8
4	AGND
5	AVDD_2V8
6	DGND
7	SIOC
8	SIOD
9	RESET
10	NC
11	DGND
12	DGND
13	PWDN
14	DGND
15	DGND
16	MDP2
17	MDN2
18	DGND
19	MCP
20	MCN
21	DGND
22	MDP1
23	MDN1
24	DGND
25	XCLK
26	DGND
27	NC
28	DDVDD_1V8
29	DGND
30	ID

主要参数 (Module Specification)

焦距 (EFL)	3.43
光圈 (F.NO)	2.8
视场角 (View Angle)	67.2°
畸变 (TV-Distortion)	≤ 2 %
景深 (Focusing Range)	10 cm ~ Infinity
感光芯片 (Chip Type)	OV5640
像素 (Array Size)	5.0M
镜头类型 (lens Size)	1/4 INCH 4P+IR

Note:

1. * IS Critical Dimension
2. Power Supply:
AVDD—2.6V to 3.0V (2.8V typical)
DOVDD—1.7V to 1.9V (1.8V typical)
3. Pin#30 (ID) is pulled high inside of module

Actuator Specification

Type	VCM Parameter
Control Mode	IIC
Supply Voltage	2.8V-3.3V
Coil Resistance	15±3ohm
Rated Current	no more than 90mA

CUSTOMER APPROVE		AMEND		NO.	CONTENT	DATE
Mechanical	Electrical					
		△				
		△				
		△				
		△				

TRULY OPTO-ELECTRONICS LTD.			
PRODUCT NO.	DRAW NO.	REV	
C08725-B5SA-E	标准品	A	
DWN Allen 20170717	DSN Allen 20170717		
CHKD Weiyx 20170717	APPD Bruce 20170717		
NOT IN SCALE UNIT mm		SHEET: 1/1	

TOLERANCE:
DECIMAL
.x ± .30
.xx ± .20
∠ ± 1/4