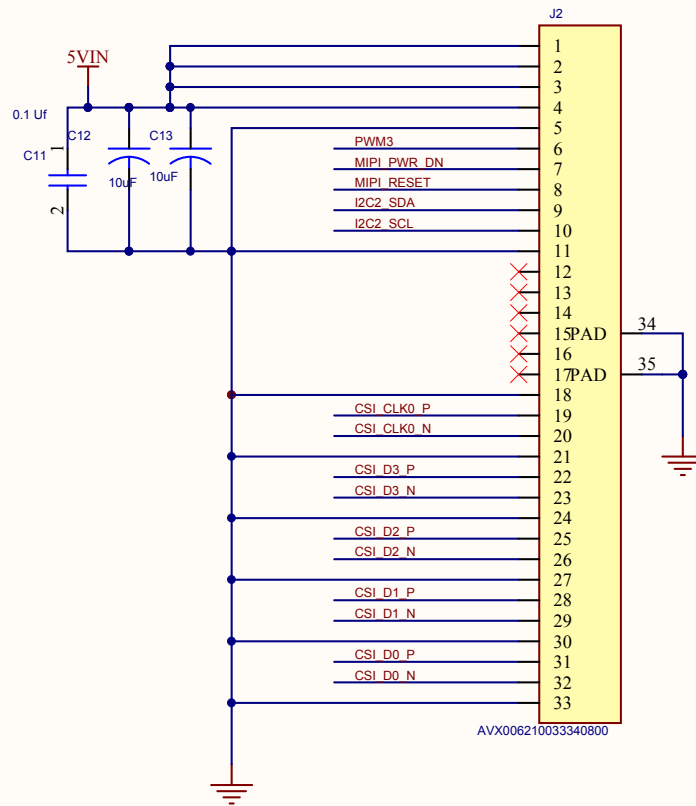
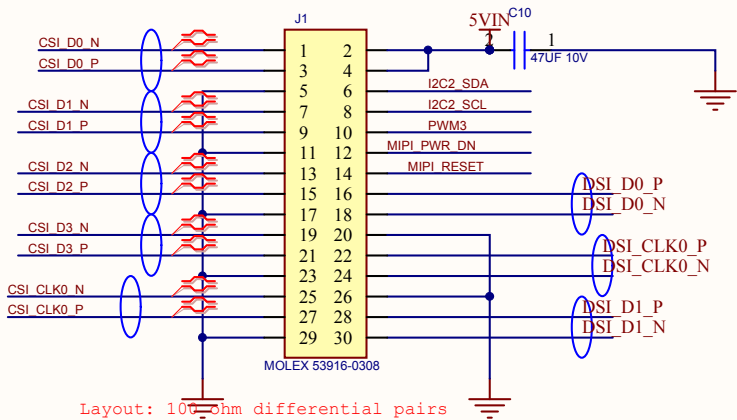


Layout: 100 ohm differential pairs

Title		
Size	Document Number	Rev
A		
Date:	Sheet	6 of 1

MIPI INTERFACE



Title		
Size A	Number	Revision
Date: 6/18/2013	Sheet of	
File: C:\Users\...\Sheet1.SchDoc	Drawn By:	